

ROECO

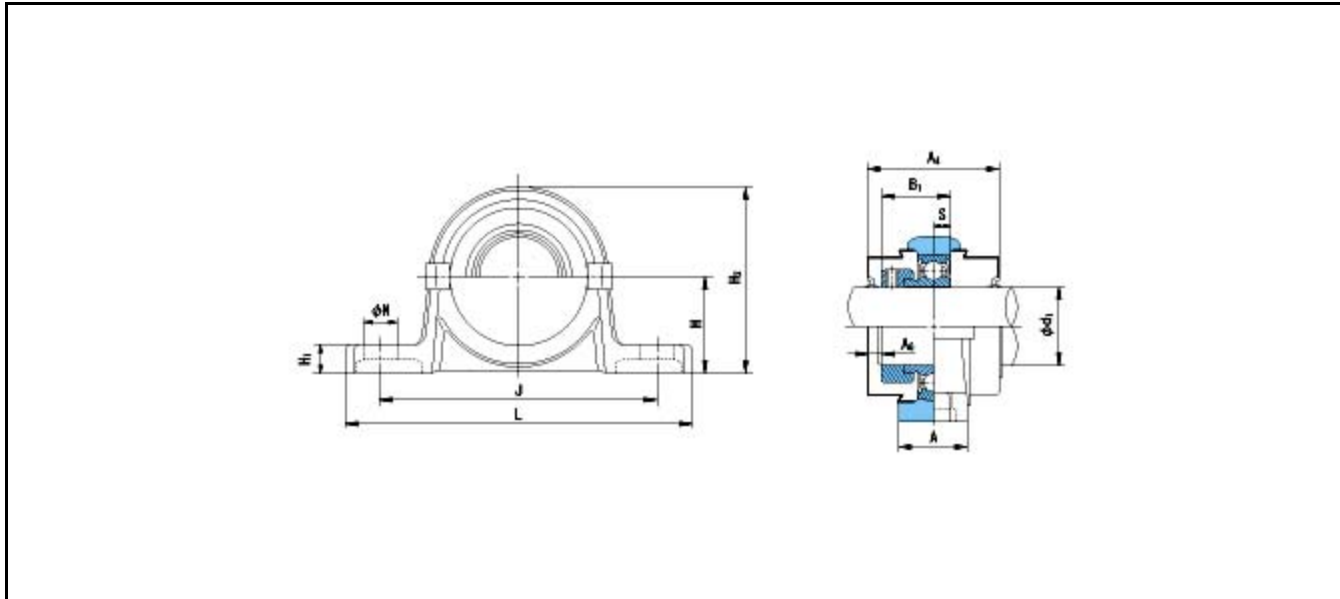
Bearing Data

Ball Bearing Units

Bearing No. : **UP006C**

Dimensions

- H = 36
- L = 132
- J = 106
- N = 13
- H1 = 11
- H2 = 70



Dimensions

- d1 = 30
- A = 26
- B1 = 26.5
- S = 6.5
- A4 = 50
- A6 = 4
- Mass = 480 g

Basic Dynamic Load Rating Cr :	13200 N	INNER RING	OUTER RING
Basic Static Load Rating Cor :	8300 N	O.D.Surface Runout with Side :	-
Limiting Speed ;		Axial Runout with Bore :	-
Grease Lubrication :	- rpm	Axial Runout with Raceway :	-
Oil Lubrication :	- rpm	Width Variation :	-
		Radial Runout :	-