

ROECO

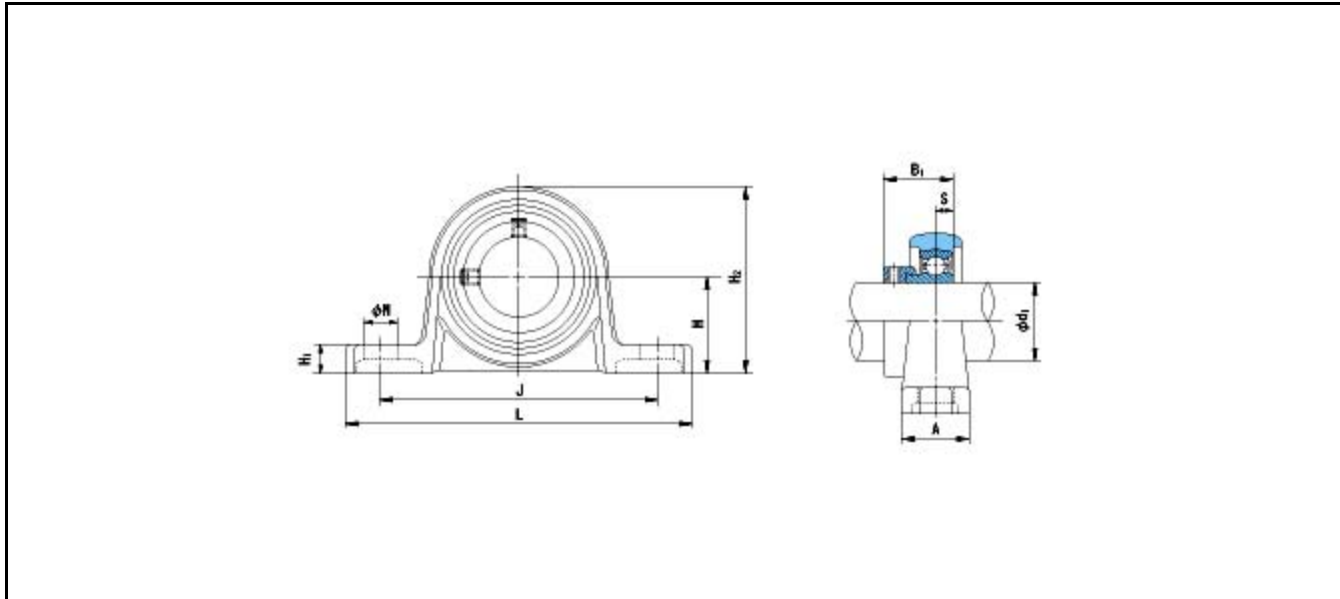
Bearing Data

Ball Bearing Units

Bearing No. : **UP006**

Dimensions

H = 36
L = 132
J = 106
N = 13
H1 = 11
H2 = 70



Dimensions

d1 = 30
A = 26
B1 = 26.5
S = 6.5
Mass = 454 g

Basic Dynamic Load Rating Cr :	13200 N			
Basic Static Load Rating Cor :	8300 N	O.D.Surface Runout with Side :		-
Limiting Speed ;		Axial Runout with Bore :		-
Grease Lubrication :	- rpm	Axial Runout with Raceway :		-
Oil Lubrication :	- rpm	Width Variation :		-
		Radial Runout :		-