

ROECO

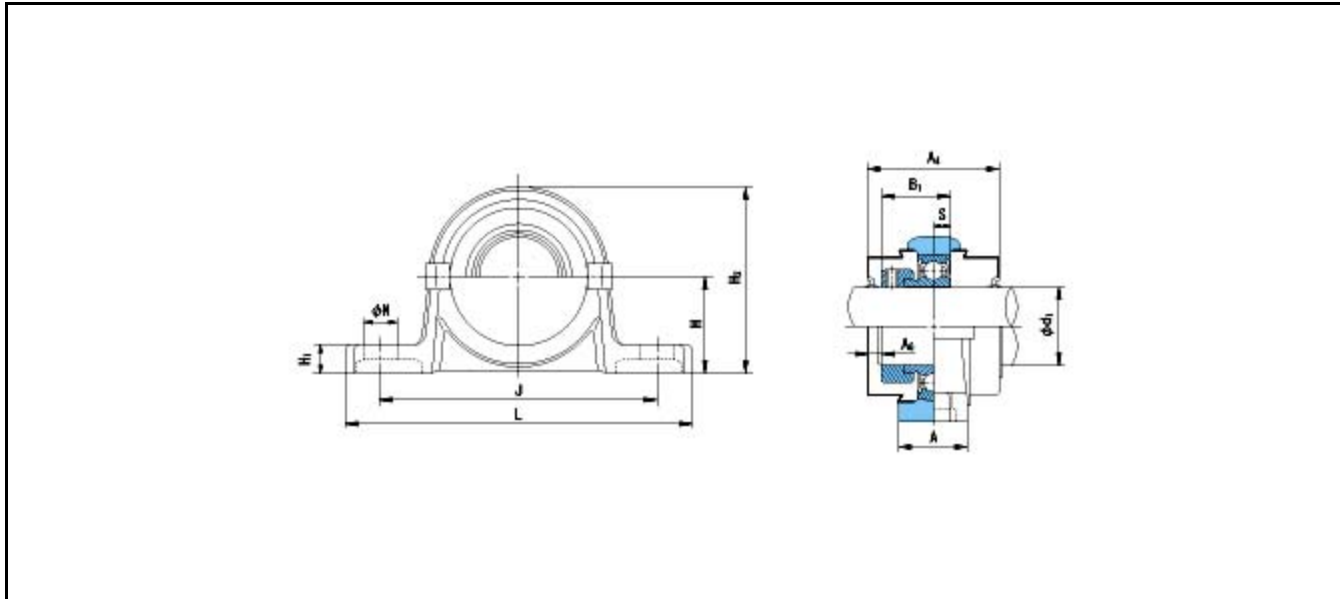
## Bearing Data

### Ball Bearing Units

Bearing No. : **UP005E**

Dimensions

H = 32  
L = 112  
J = 90  
N = 10  
H1 = 10  
H2 = 62



Dimensions

d1 = 25  
A = 20  
B1 = 25.5  
S = 6  
A4 = 47  
A6 = 3  
Mass = 315 g

<b>Basic Dynamic Load Rating Cr :</b>	<b>10100 N</b>			
<b>Basic Static Load Rating Cor :</b>	<b>5800 N</b>			
<b>Limiting Speed ;</b>				
<b>Grease Lubrication :</b>	- rpm			
<b>Oil Lubrication :</b>	- rpm			
		<b>INNER RING</b>	<b>OUTER RING</b>	
		<b>O.D.Surface Runout with Side :</b>		-
		<b>Axial Runout with Bore :</b>		-
		<b>Axial Runout with Raceway :</b>		-
		<b>Width Variation :</b>		-
		<b>Radial Runout :</b>		-