

ROECO

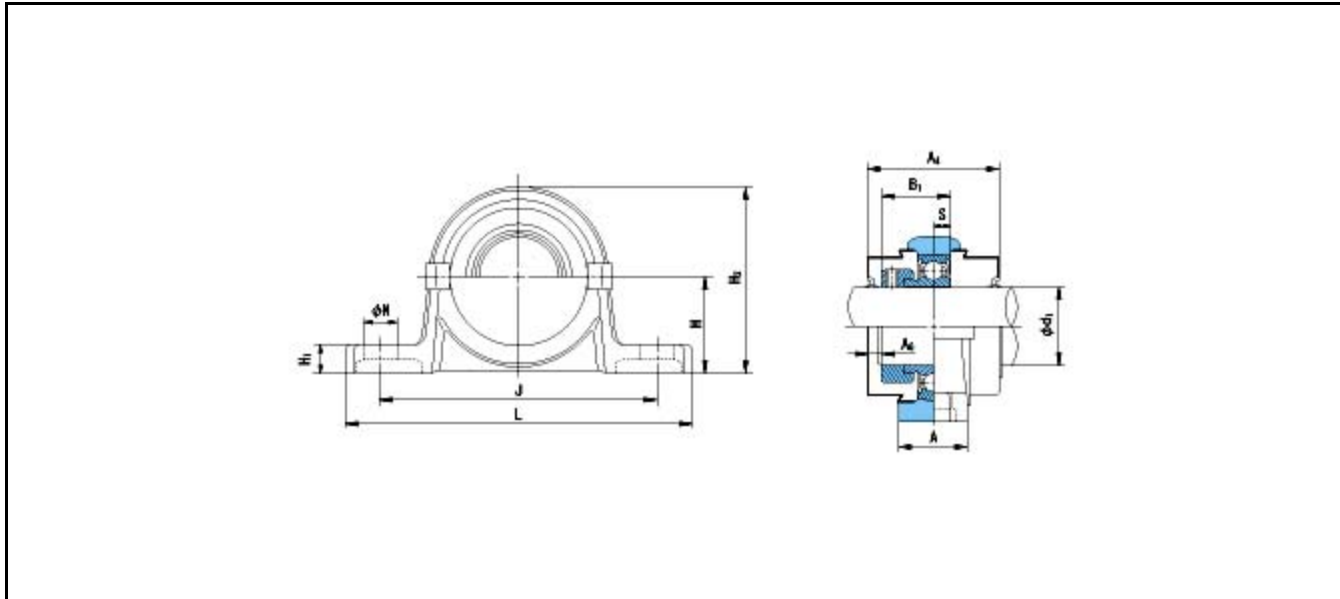
# Bearing Data

## Ball Bearing Units

Bearing No. : **UP005C**

Dimensions

- H = 32
- L = 112
- J = 90
- N = 10
- H1 = 10
- H2 = 62



Dimensions

- d1 = 25
- A = 20
- B1 = 25.5
- S = 6
- A4 = 47
- A6 = 3
- Mass = 315 g

<b>Basic Dynamic Load Rating Cr :</b>	<b>10100 N</b>	<b>INNER RING</b>	<b>OUTER RING</b>
<b>Basic Static Load Rating Cor :</b>	<b>5800 N</b>	<b>O.D.Surface Runout with Side :</b>	-
<b>Limiting Speed ;</b>		<b>Axial Runout with Bore :</b>	-
<b>Grease Lubrication :</b>	- rpm	<b>Axial Runout with Raceway :</b>	-
<b>Oil Lubrication :</b>	- rpm	<b>Width Variation :</b>	-
		<b>Radial Runout :</b>	-