

ROECO

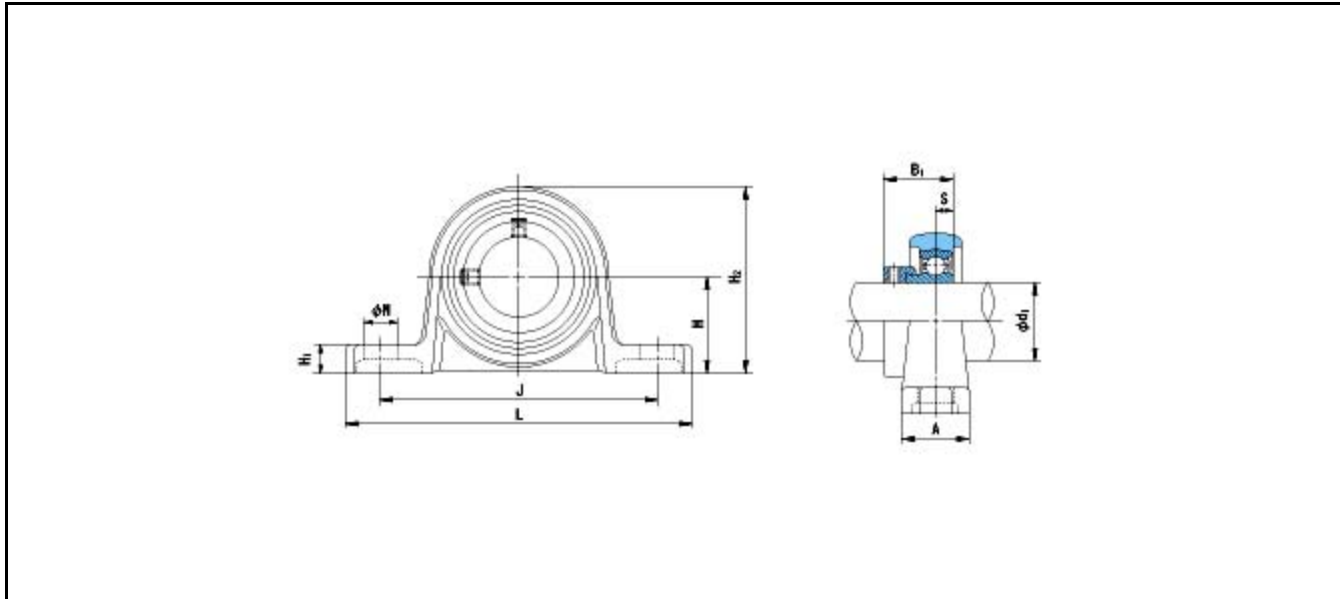
Bearing Data

Ball Bearing Units

Bearing No. : **UP004**

Dimensions

H = 28
L = 100
J = 80
N = 10
H1 = 9
H2 = 55



Dimensions

d1 = 20
A = 20
B1 = 24.5
S = 6
Mass = 230 g

Basic Dynamic Load Rating Cr :	9350 N			INNER RING	OUTER RING
Basic Static Load Rating Cor :	5100 N	O.D.Surface Runout with Side :		-	
Limiting Speed ;		Axial Runout with Bore :		-	
Grease Lubrication :	- rpm	Axial Runout with Raceway :		-	
Oil Lubrication :	- rpm	Width Variation :		-	
		Radial Runout :		-	