

ROECO

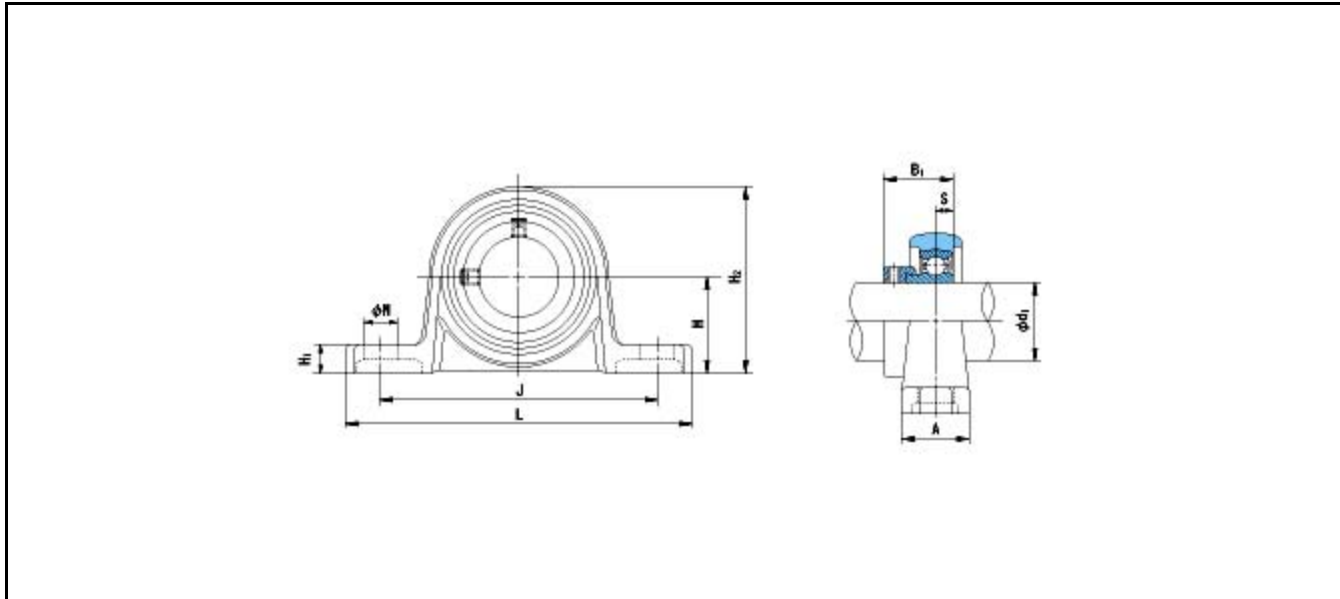
# Bearing Data

## Ball Bearing Units

Bearing No. : **UP003**

Dimensions

H = 24  
L = 85  
J = 67  
N = 7  
H1 = 7  
H2 = 47



Dimensions

d1 = 17  
A = 18  
B1 = 20.5  
S = 5  
Mass = 156 g

Basic Dynamic Load Rating Cr :	<b>6000 N</b>			
Basic Static Load Rating Cor :	<b>3300 N</b>	O.D.Surface Runout with Side :		-
Limiting Speed ;		Axial Runout with Bore :		-
Grease Lubrication :	- rpm	Axial Runout with Raceway :		-
Oil Lubrication :	- rpm	Width Variation :		-
		Radial Runout :		-