

ROECO

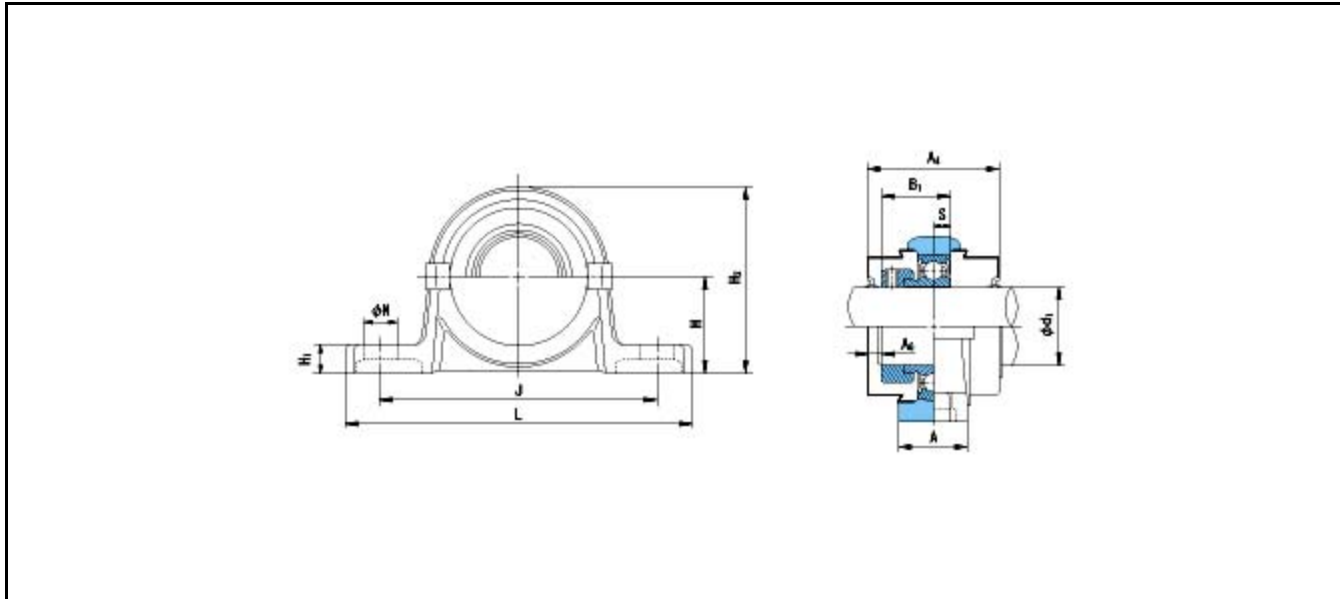
Bearing Data

Ball Bearing Units

Bearing No. : **UP001C**

Dimensions

- H = 19
- L = 71
- J = 56
- N = 7
- H1 = 6
- H2 = 38



Dimensions

- d1 = 12
- A = 16
- B1 = 17.5
- S = 4
- A4 = 33
- A6 = 2
- Mass = 100 g

Basic Dynamic Load Rating Cr :	5100 N			
Basic Static Load Rating Cor :	2400 N	O.D.Surface Runout with Side :		-
Limiting Speed ;		Axial Runout with Bore :		-
Grease Lubrication :	- rpm	Axial Runout with Raceway :		-
Oil Lubrication :	- rpm	Width Variation :		-
		Radial Runout :		-

INNER RING OUTER RING