

ROECO

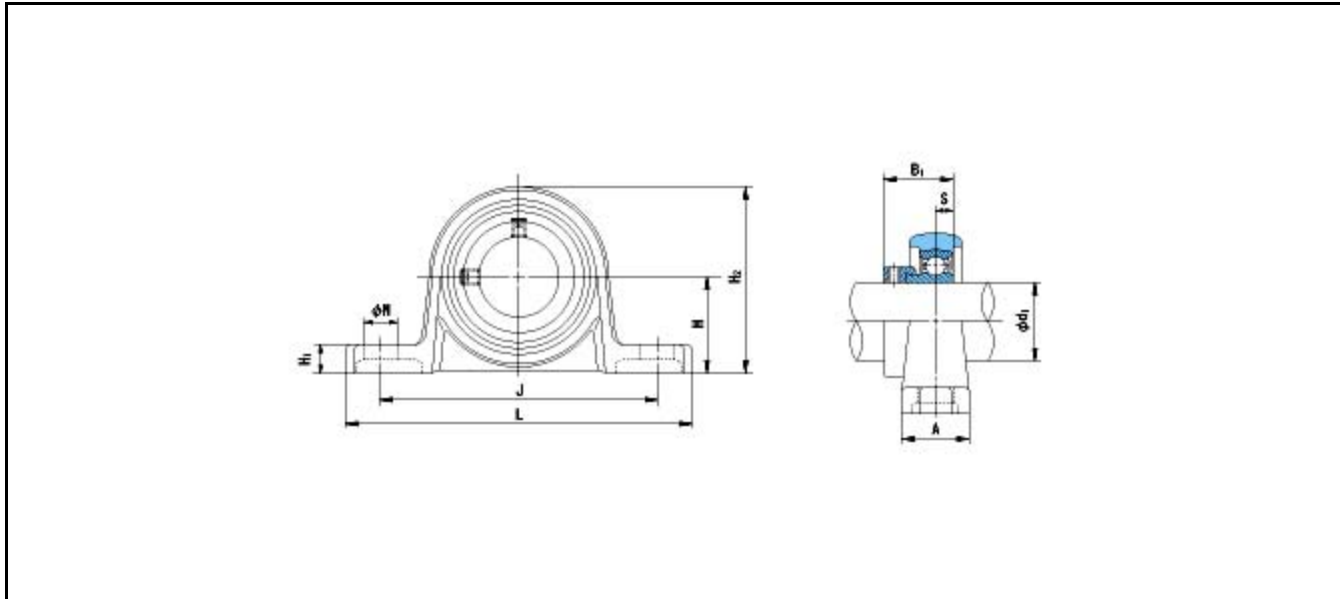
Bearing Data

Ball Bearing Units

Bearing No. : **UP001**

Dimensions

H = 19
L = 71
J = 56
N = 7
H1 = 6
H2 = 38



Dimensions

d1 = 12
A = 16
B1 = 17.5
S = 4
Mass = 91 g

Basic Dynamic Load Rating Cr :	5100 N		INNER RING	OUTER RING
Basic Static Load Rating Cor :	2400 N	O.D.Surface Runout with Side :	-	-
Limiting Speed ;		Axial Runout with Bore :	-	-
Grease Lubrication :	- rpm	Axial Runout with Raceway :	-	-
Oil Lubrication :	- rpm	Width Variation :	-	-
		Radial Runout :	-	-