

ROECO

# Bearing Data

## Ball Bearing Units

Bearing No. : **UKX18+H2318**

Dimensions

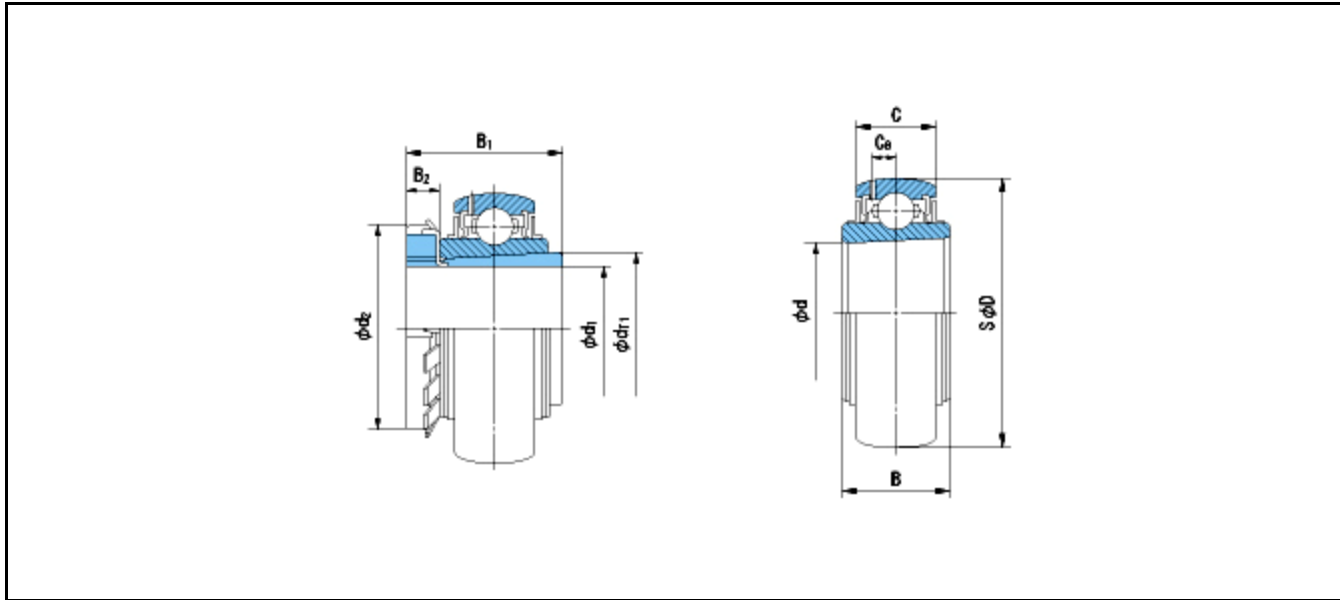
d1 = 80

d2 = 120

dT1 = 96

B1 = 86

B2 = 18



Dimensions

D = 170

d = 90

B = 52

C = 38

Ca = 11.9

Mass = 5.11 kg

Basic Dynamic Load Rating Cr :	<b>109000 N</b>				
Basic Static Load Rating Cor :	<b>81600 N</b>	O.D.Surface Runout with Side :			-
Limiting Speed ;		Axial Runout with Bore :			-
Grease Lubrication :	- rpm	Axial Runout with Raceway :			-
Oil Lubrication :	- rpm	Width Variation :			-
		Radial Runout :			-