

ROECO

# Bearing Data

## Ball Bearing Units

Bearing No. : **UKX17+H2317**

Dimensions

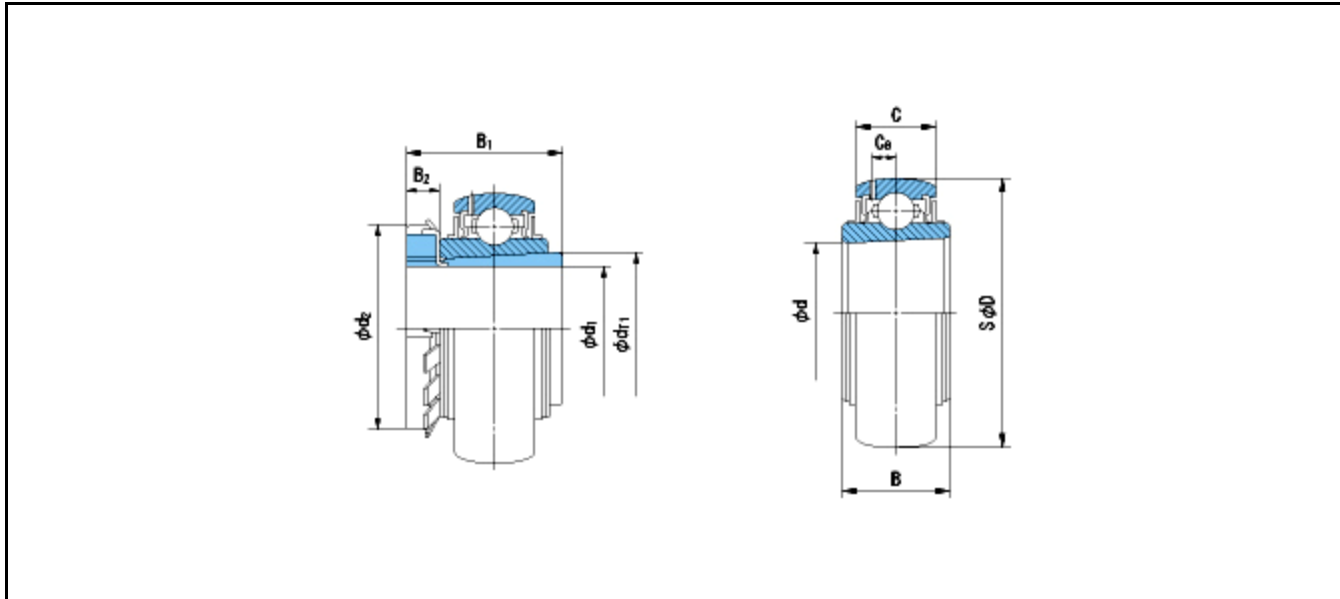
d1 = 75

d2 = 110

dT1 = 90.5

B1 = 82

B2 = 18



Dimensions

D = 160

d = 85

B = 49

C = 36

Ca = 11.1

Mass = 4.72 kg

Basic Dynamic Load Rating Cr :	<b>95500 N</b>		<b>INNER RING</b>	<b>OUTER RING</b>
Basic Static Load Rating Cor :	<b>71400 N</b>	O.D.Surface Runout with Side :		-
Limiting Speed ;		Axial Runout with Bore :	-	-
Grease Lubrication :	- rpm	Axial Runout with Raceway :	-	-
Oil Lubrication :	- rpm	Width Variation :	-	-
		Radial Runout :	-	-