

ROECO

Bearing Data

Ball Bearing Units

Bearing No. : **UKX11+H2311**

Dimensions

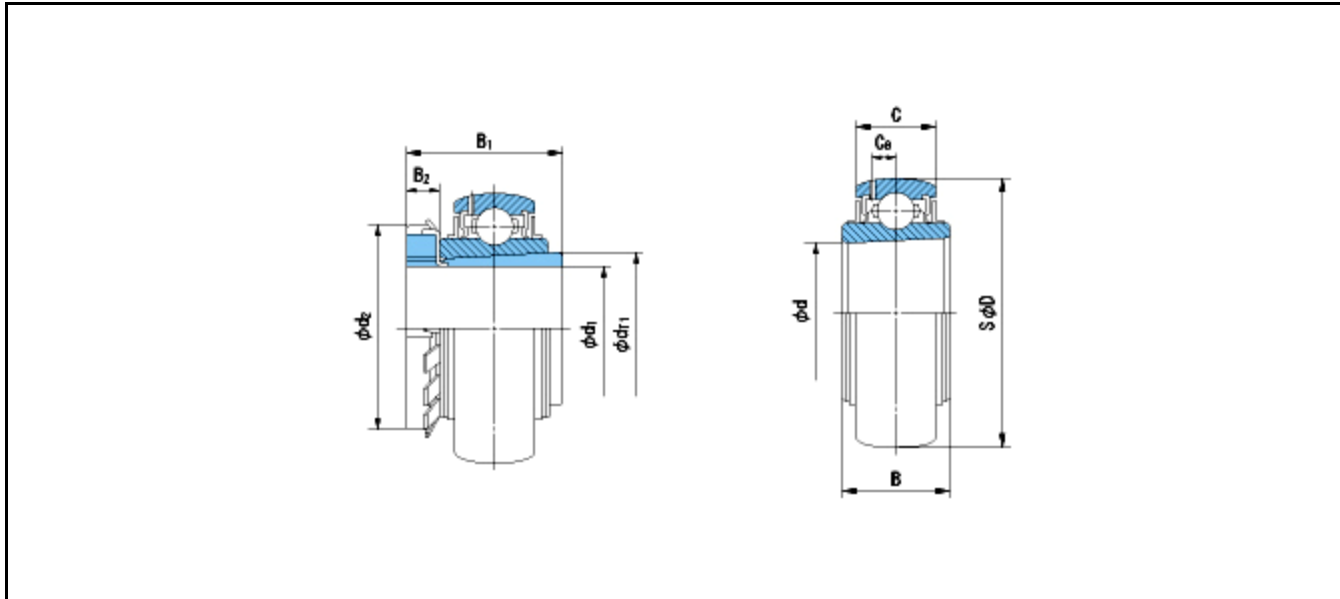
d1 = 50

d2 = 75

dT1 = 59

B1 = 59

B2 = 12



Dimensions

D = 110

d = 55

B = 36

C = 26

Ca = 7.7

Mass = 1.54 kg

Basic Dynamic Load Rating Cr :	52500 N		INNER RING	OUTER RING
Basic Static Load Rating Cor :	36100 N	O.D.Surface Runout with Side :		-
Limiting Speed ;		Axial Runout with Bore :	-	-
Grease Lubrication :	- rpm	Axial Runout with Raceway :	-	-
Oil Lubrication :	- rpm	Width Variation :	-	-
		Radial Runout :	-	-