

ROECO

Bearing Data

Ball Bearing Units

Bearing No. : **UKX08+H2308**

Dimensions

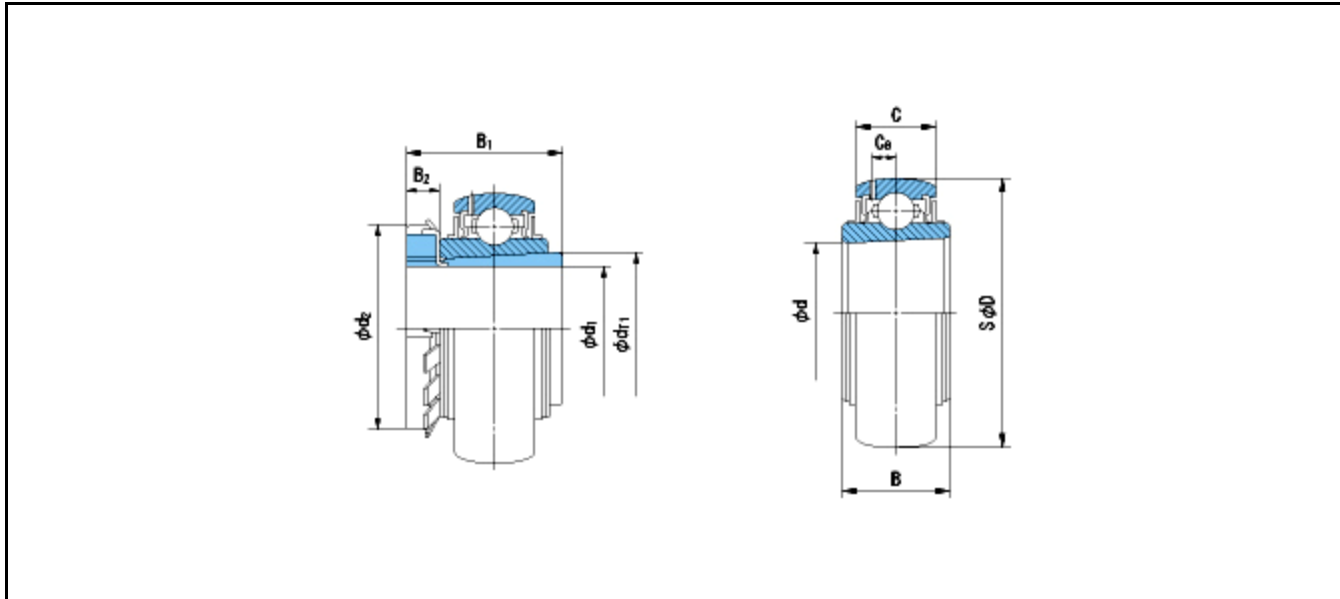
d1 = 35

d2 = 58

dT1 = 43

B1 = 46

B2 = 10



Dimensions

D = 85

d = 40

B = 30

C = 22

Ca = 6.5

Mass = 0.81 kg

Basic Dynamic Load Rating Cr :	33000 N		INNER RING	OUTER RING
Basic Static Load Rating Cor :	20500 N	O.D.Surface Runout with Side :	-	-
Limiting Speed ;		Axial Runout with Bore :	-	-
Grease Lubrication :	- rpm	Axial Runout with Raceway :	-	-
Oil Lubrication :	- rpm	Width Variation :	-	-
		Radial Runout :	-	-