

ROECO

Bearing Data

Ball Bearing Units

Bearing No. : **UKX07+H2307**

Dimensions

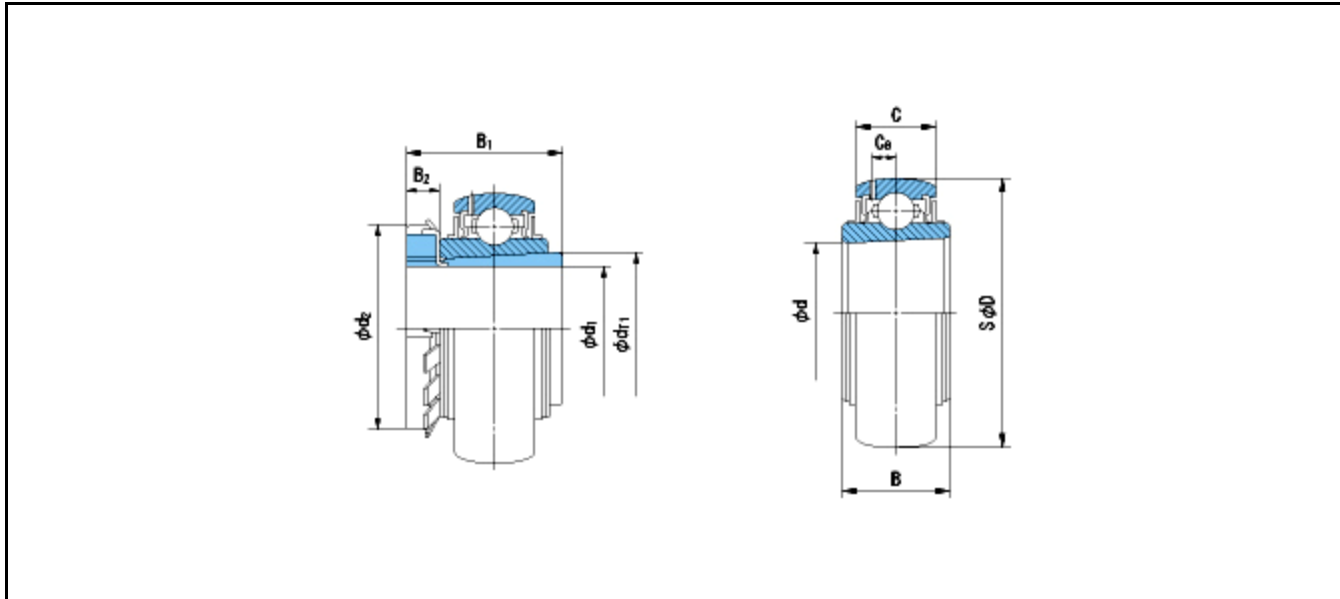
d1 = 30

d2 = 52

dT1 = 38

B1 = 43

B2 = 9



Dimensions

D = 80

d = 35

B = 29

C = 21

Ca = 6.2

Mass = 0.7 kg

Basic Dynamic Load Rating Cr :	29300 N	INNER RING	OUTER RING
Basic Static Load Rating Cor :	17900 N	O.D.Surface Runout with Side :	-
Limiting Speed ;		Axial Runout with Bore :	-
Grease Lubrication :	- rpm	Axial Runout with Raceway :	-
Oil Lubrication :	- rpm	Width Variation :	-
		Radial Runout :	-