

ROECO

# Bearing Data

## Ball Bearing Units

Bearing No. : **UKX05+H2305**

Dimensions

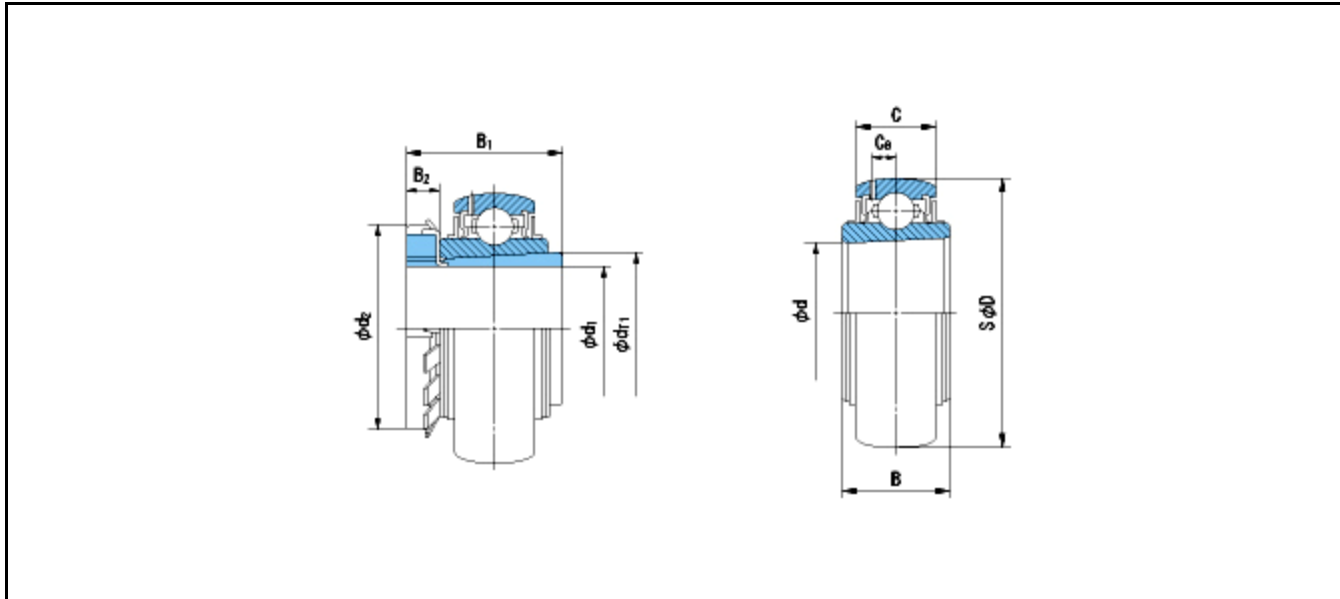
d1 = 20

d2 = 38

dT1 = 27.5

B1 = 35

B2 = 8



Dimensions

D = 62

d = 25

B = 26

C = 19

Ca = 5.1

Mass = 0.37 kg

Basic Dynamic Load Rating Cr :	<b>19600 N</b>		<b>INNER RING</b>	<b>OUTER RING</b>
Basic Static Load Rating Cor :	<b>11300 N</b>	O.D.Surface Runout with Side :		-
Limiting Speed ;		Axial Runout with Bore :	-	
Grease Lubrication :	- rpm	Axial Runout with Raceway :	-	-
Oil Lubrication :	- rpm	Width Variation :	-	-
		Radial Runout :	-	-