

ROECO

Bearing Data

Ball Bearing Units

Bearing No. : UKTX17+H2317

Dimensions

H = 198

H2 = 124

L = 260

L1 = 162

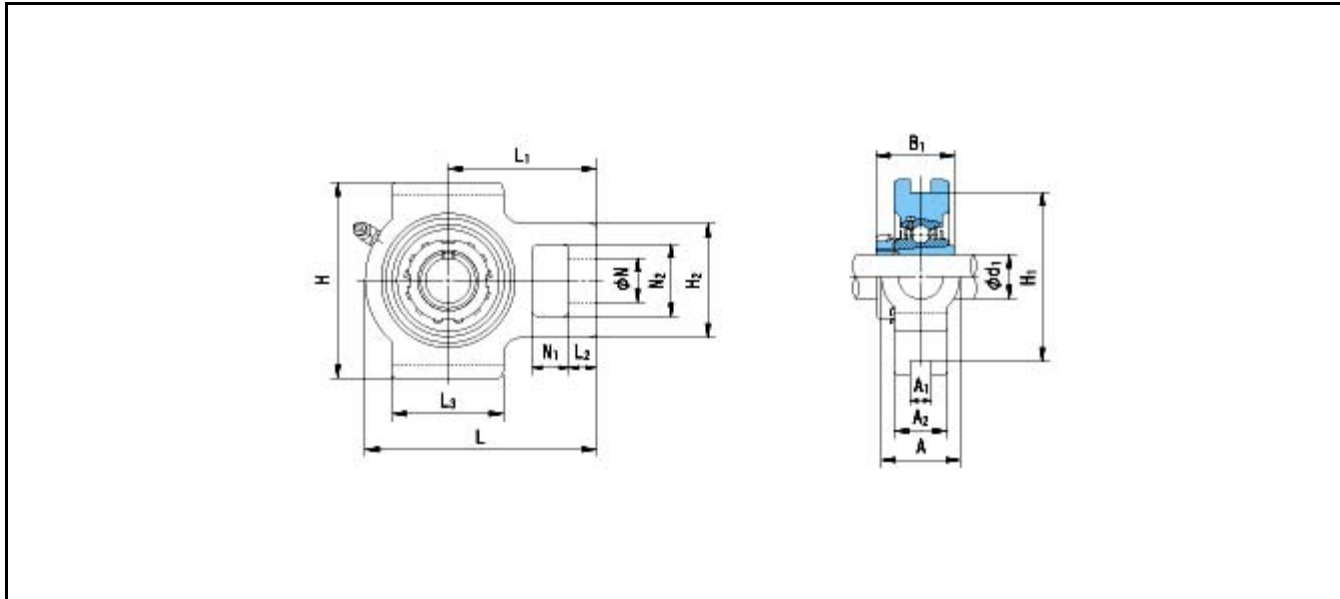
L2 = 28

L3 = 157

N = 48

N1 = 38

N2 = 73



Dimensions

d1 = 75

A1 = 28

A2 = 54

A = 73

H1 = 173

B1 = 82

Mass = 10.9 kg

Basic Dynamic Load Rating Cr :	95500 N	INNER RING	OUTER RING
Basic Static Load Rating Cor :	71400 N	O.D.Surface Runout with Side :	-
Limiting Speed ;		Axial Runout with Bore :	-
Grease Lubrication :	- rpm	Axial Runout with Raceway :	-
Oil Lubrication :	- rpm	Width Variation :	-
		Radial Runout :	-