

ROECO

Bearing Data

Ball Bearing Units

Bearing No. : **UKTX16+H2316**

Dimensions

H = 198

H2 = 124

L = 260

L1 = 162

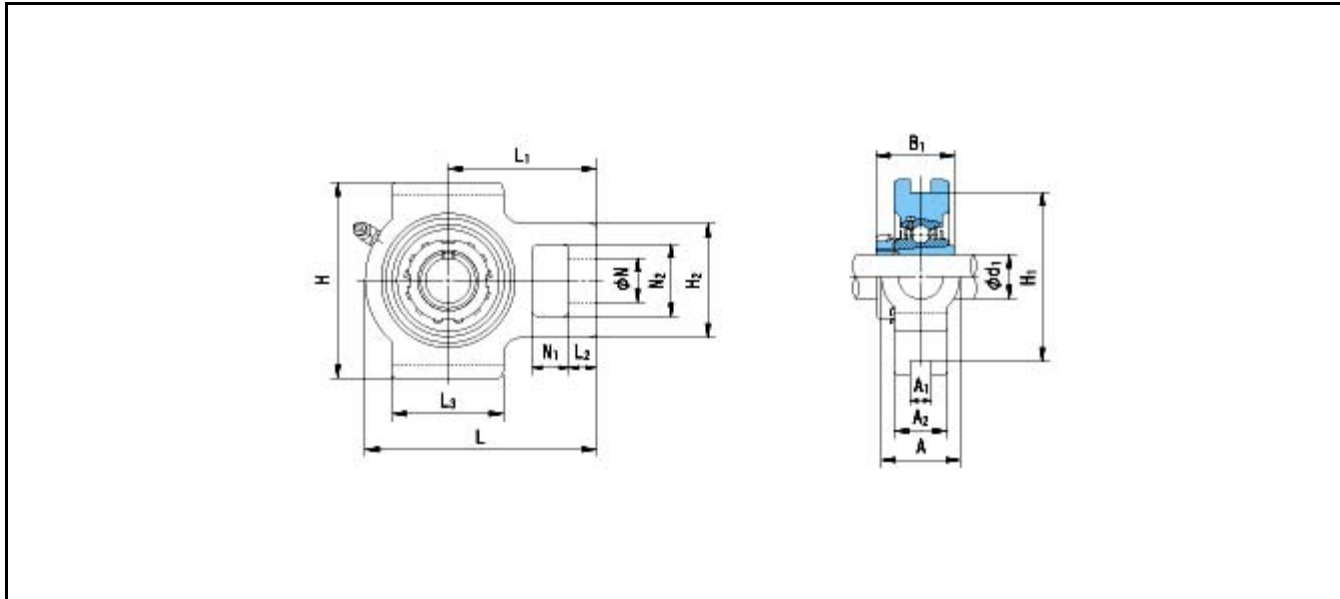
L2 = 28

L3 = 157

N = 48

N1 = 38

N2 = 73



Dimensions

d1 = 70

A1 = 28

A2 = 54

A = 73

H1 = 173

B1 = 78

Mass = 11.4 kg

Basic Dynamic Load Rating Cr :	83500 N		INNER RING	OUTER RING
Basic Static Load Rating Cor :	61800 N	O.D.Surface Runout with Side :		-
Limiting Speed ;		Axial Runout with Bore :	-	-
Grease Lubrication :	- rpm	Axial Runout with Raceway :	-	-
Oil Lubrication :	- rpm	Width Variation :	-	-
		Radial Runout :	-	-