

ROECO

Bearing Data

Ball Bearing Units

Bearing No. : **UKTX12+H2312**

Dimensions

H = 167

H2 = 111

L = 224

L1 = 137

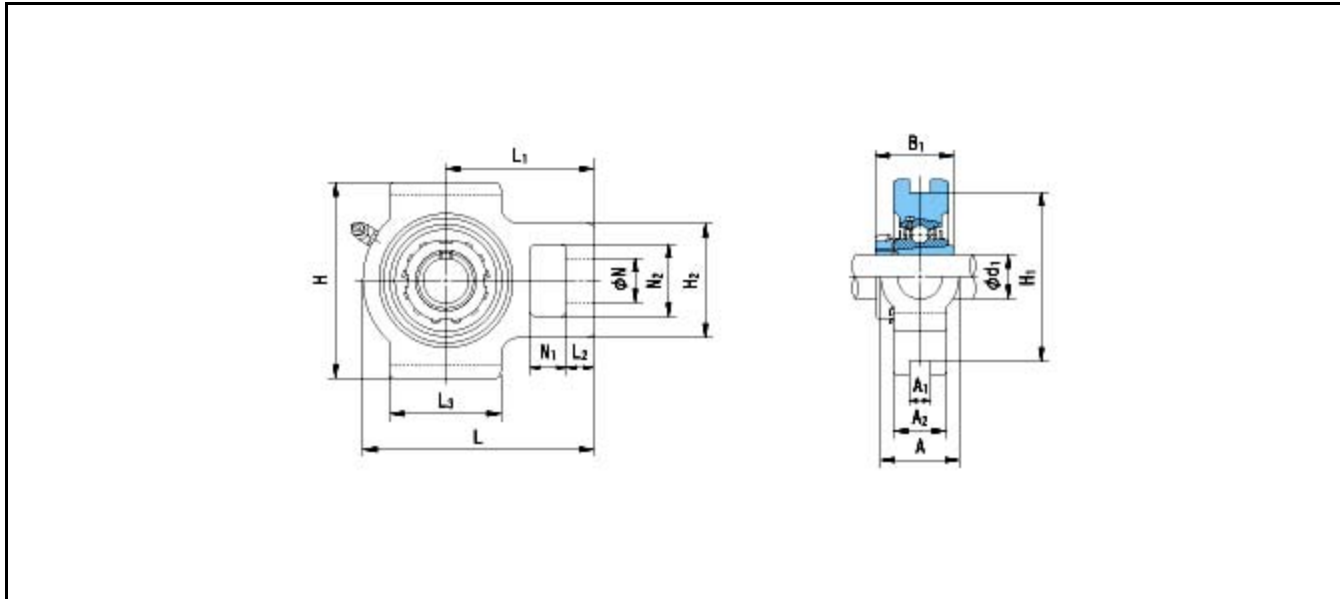
L2 = 21

L3 = 121

N = 41

N1 = 32

N2 = 70



Dimensions

d1 = 55

A1 = 26

A2 = 48

A = 70

H1 = 151

B1 = 62

Mass = 7.1 kg

| | | | | |
|--------------------------------|----------------|--------------------------------|-------------------|-------------------|
| Basic Dynamic Load Rating Cr : | 57500 N | | INNER RING | OUTER RING |
| Basic Static Load Rating Cor : | 40000 N | O.D.Surface Runout with Side : | | - |
| Limiting Speed ; | | Axial Runout with Bore : | - | - |
| Grease Lubrication : | - rpm | Axial Runout with Raceway : | - | - |
| Oil Lubrication : | - rpm | Width Variation : | - | - |
| | | Radial Runout : | - | - |