

ROECO

Bearing Data

Ball Bearing Units

Bearing No. : **UKTX09+H2309**

Dimensions

H = 117

H2 = 83

L = 149

L1 = 90

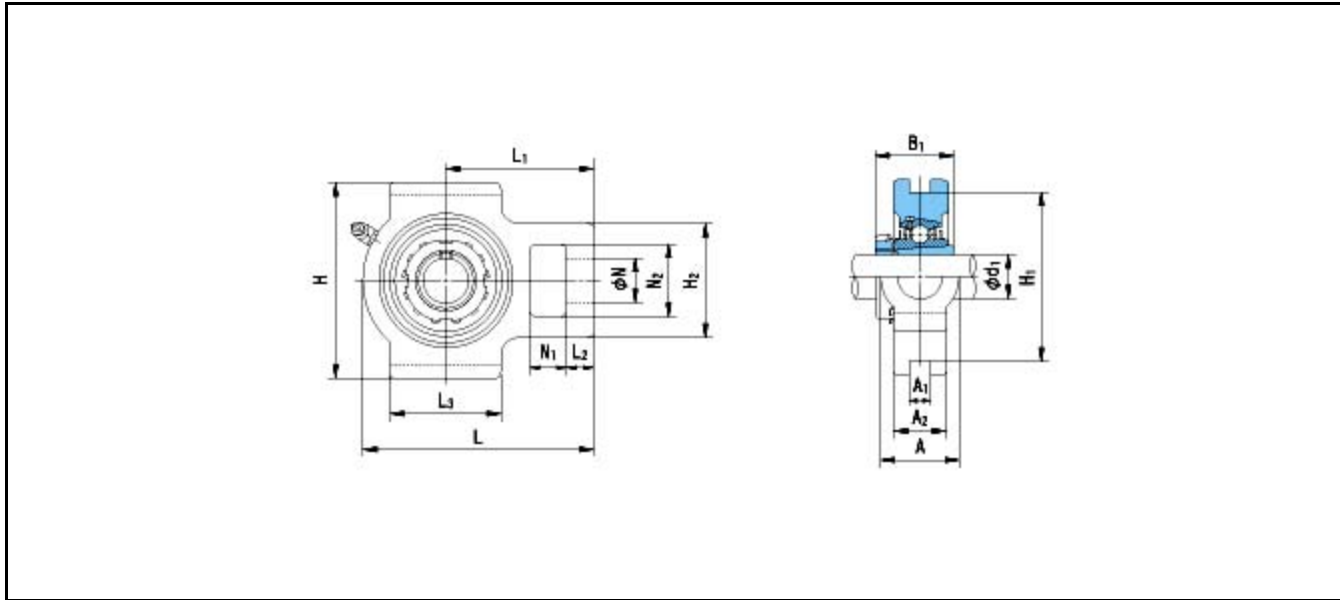
L2 = 16

L3 = 86

N = 29

N1 = 19

N2 = 49



Dimensions

d1 = 40

A1 = 16

A2 = 38

A = 49

H1 = 102

B1 = 50

Mass = 2.8 kg

Basic Dynamic Load Rating Cr : **35500 N**

Basic Static Load Rating Cor : **23200 N**

Limiting Speed ;

Grease Lubrication : - rpm

Oil Lubrication : - rpm

INNER RING OUTER RING

O.D.Surface Runout with Side : -

Axial Runout with Bore : -

Axial Runout with Raceway : -

Width Variation : -

Radial Runout : -