

ROECO

# Bearing Data

## Ball Bearing Units

Bearing No. : **UKTX06+H2306**

### Dimensions

H = 102

H2 = 64

L = 129

L1 = 78

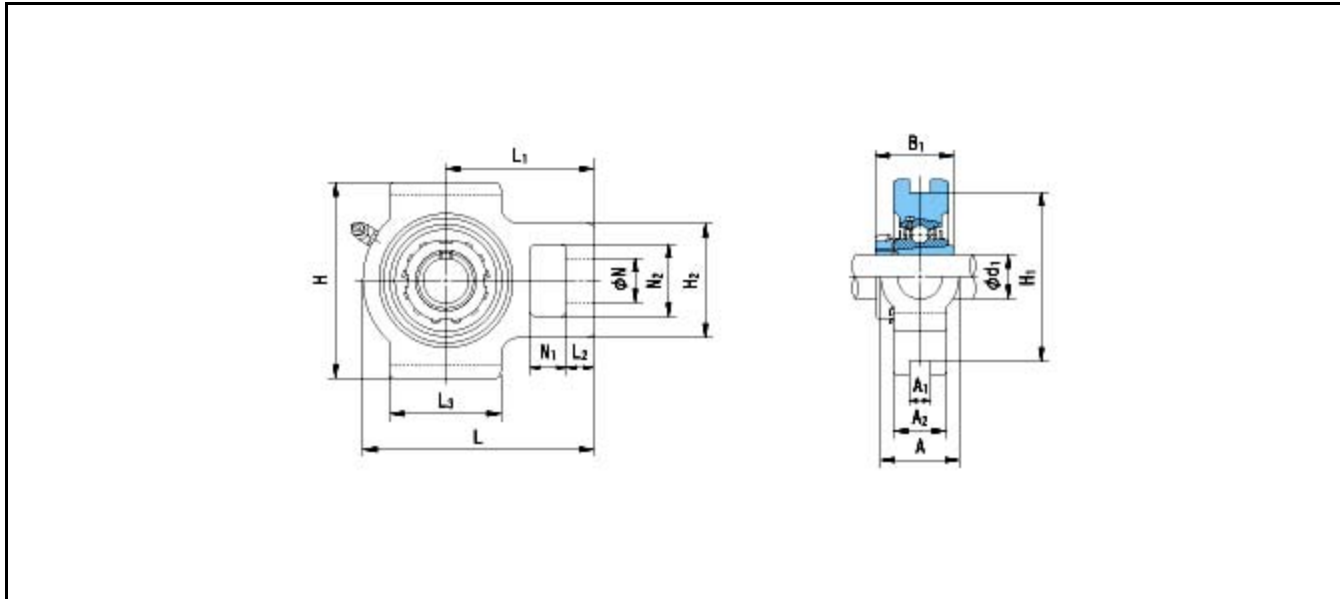
L2 = 13

L3 = 64

N = 22

N1 = 16

N2 = 37



### Dimensions

d1 = 25

A1 = 12

A2 = 30

A = 37

H1 = 89

B1 = 38

Mass = 1.7 kg

Basic Dynamic Load Rating Cr :	<b>25900 N</b>		<b>INNER RING</b>	<b>OUTER RING</b>
Basic Static Load Rating Cor :	<b>15400 N</b>	O.D.Surface Runout with Side :	-	-
Limiting Speed ;		Axial Runout with Bore :	-	-
Grease Lubrication :	- rpm	Axial Runout with Raceway :	-	-
Oil Lubrication :	- rpm	Width Variation :	-	-
		Radial Runout :	-	-