

ROECO

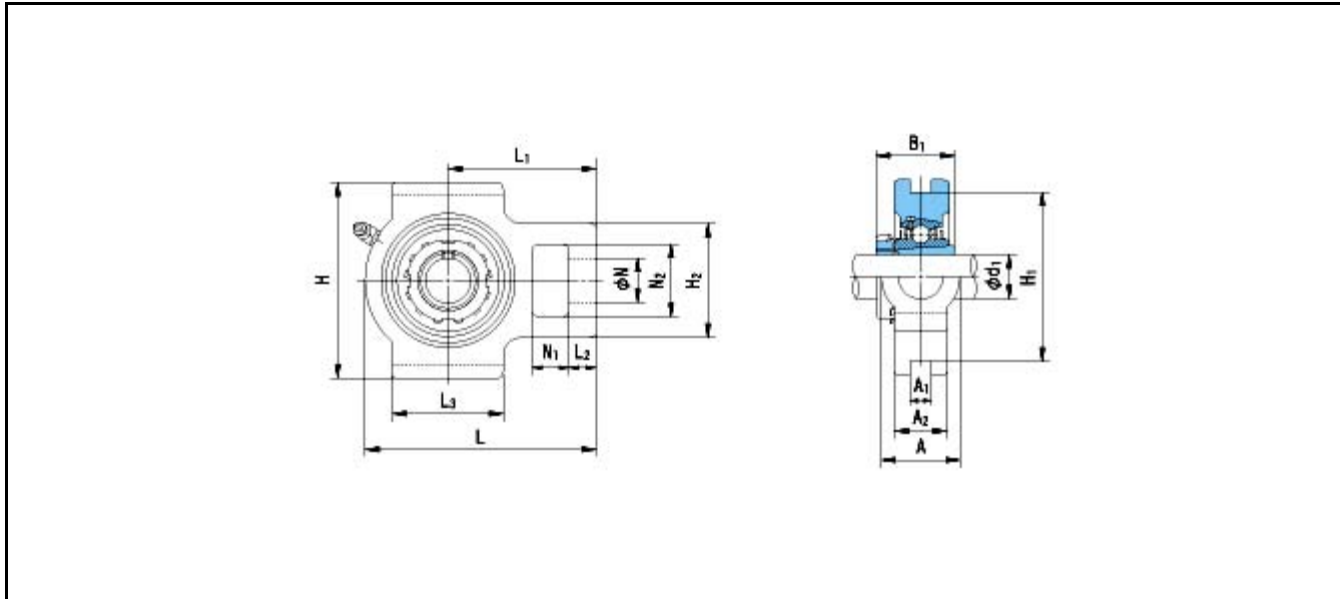
# Bearing Data

## Ball Bearing Units

Bearing No. : **UKT328+H2328**

### Dimensions

- H = 415
- H2 = 230
- L = 515
- L1 = 315
- L2 = 50
- L3 = 255
- N = 80
- N1 = 70
- N2 = 160



### Dimensions

- d1 = 125
- A1 = 50
- A2 = 100
- A = 155
- H1 = 380
- B1 = 131
- Mass = 83.5 kg

<b>Basic Dynamic Load Rating Cr :</b>	<b>255000 N</b>	<b>INNER RING</b>	<b>OUTER RING</b>
<b>Basic Static Load Rating Cor :</b>	<b>246000 N</b>	<b>O.D.Surface Runout with Side :</b>	-
<b>Limiting Speed ;</b>		<b>Axial Runout with Bore :</b>	-
<b>Grease Lubrication :</b>	- rpm	<b>Axial Runout with Raceway :</b>	-
<b>Oil Lubrication :</b>	- rpm	<b>Width Variation :</b>	-
		<b>Radial Runout :</b>	-