

ROECO

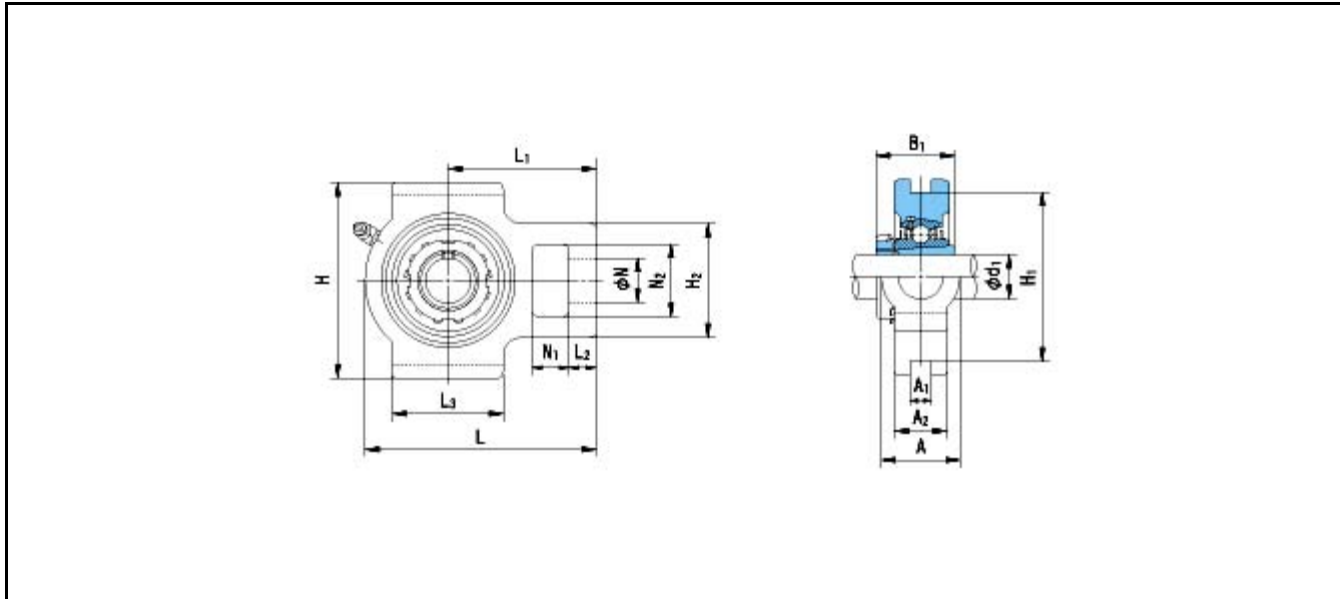
Bearing Data

Ball Bearing Units

Bearing No. : **UKT322+H2322**

Dimensions

- H = 320
- H2 = 185
- L = 385
- L1 = 235
- L2 = 38
- L3 = 215
- N = 65
- N1 = 52
- N2 = 125



Dimensions

- d1 = 100
- A1 = 38
- A2 = 80
- A = 130
- H1 = 285
- B1 = 105
- Mass = 38.9 kg

Basic Dynamic Load Rating Cr :	205000 N	INNER RING	OUTER RING
Basic Static Load Rating Cor :	178800 N	O.D.Surface Runout with Side :	-
Limiting Speed ;		Axial Runout with Bore :	-
Grease Lubrication :	- rpm	Axial Runout with Raceway :	-
Oil Lubrication :	- rpm	Width Variation :	-
		Radial Runout :	-