

ROECO

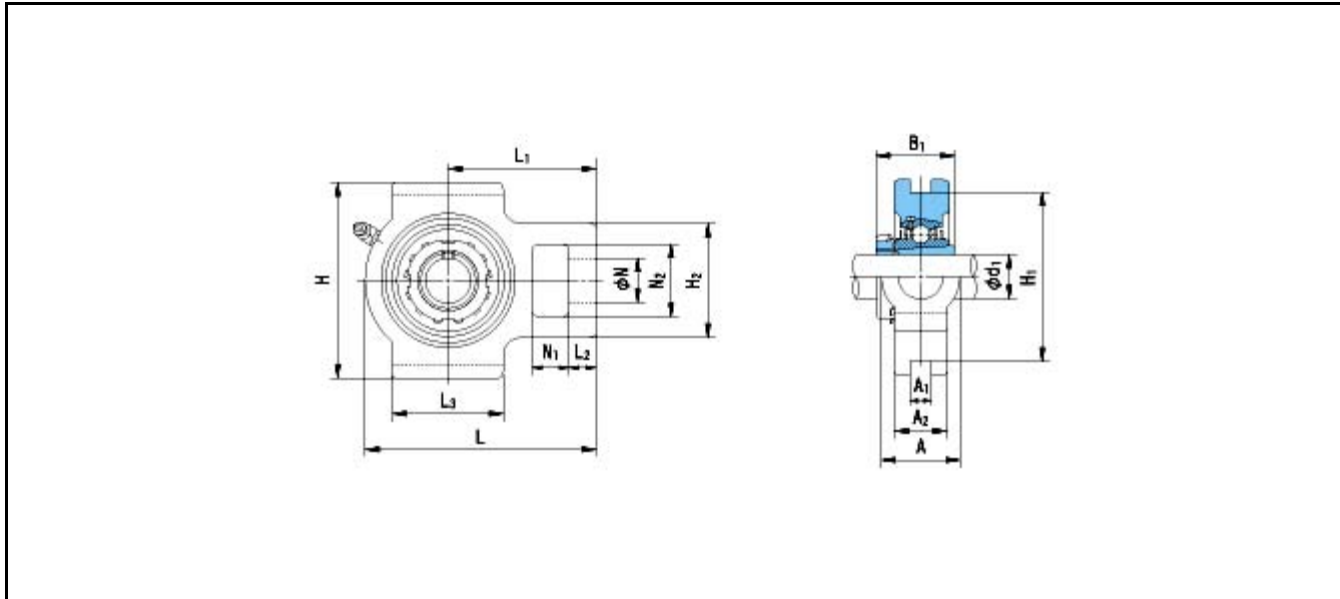
# Bearing Data

## Ball Bearing Units

Bearing No. : **UKT318+H2318**

Dimensions

- H = 255
- H2 = 160
- L = 312
- L1 = 192
- L2 = 30
- L3 = 175
- N = 57
- N1 = 46
- N2 = 106



Dimensions

- d1 = 80
- A1 = 32
- A2 = 66
- A = 110
- H1 = 228
- B1 = 86
- Mass = 21.4 kg

<b>Basic Dynamic Load Rating Cr :</b>	<b>143000 N</b>	<b>INNER RING</b>	<b>OUTER RING</b>
<b>Basic Static Load Rating Cor :</b>	<b>107200 N</b>	<b>O.D.Surface Runout with Side :</b>	-
<b>Limiting Speed ;</b>		<b>Axial Runout with Bore :</b>	-
<b>Grease Lubrication :</b>	- rpm	<b>Axial Runout with Raceway :</b>	-
<b>Oil Lubrication :</b>	- rpm	<b>Width Variation :</b>	-
		<b>Radial Runout :</b>	-