

ROECO

# Bearing Data

## Ball Bearing Units

Bearing No. : **UKT315+H2315**

Dimensions

H = 216

H2 = 132

L = 262

L1 = 160

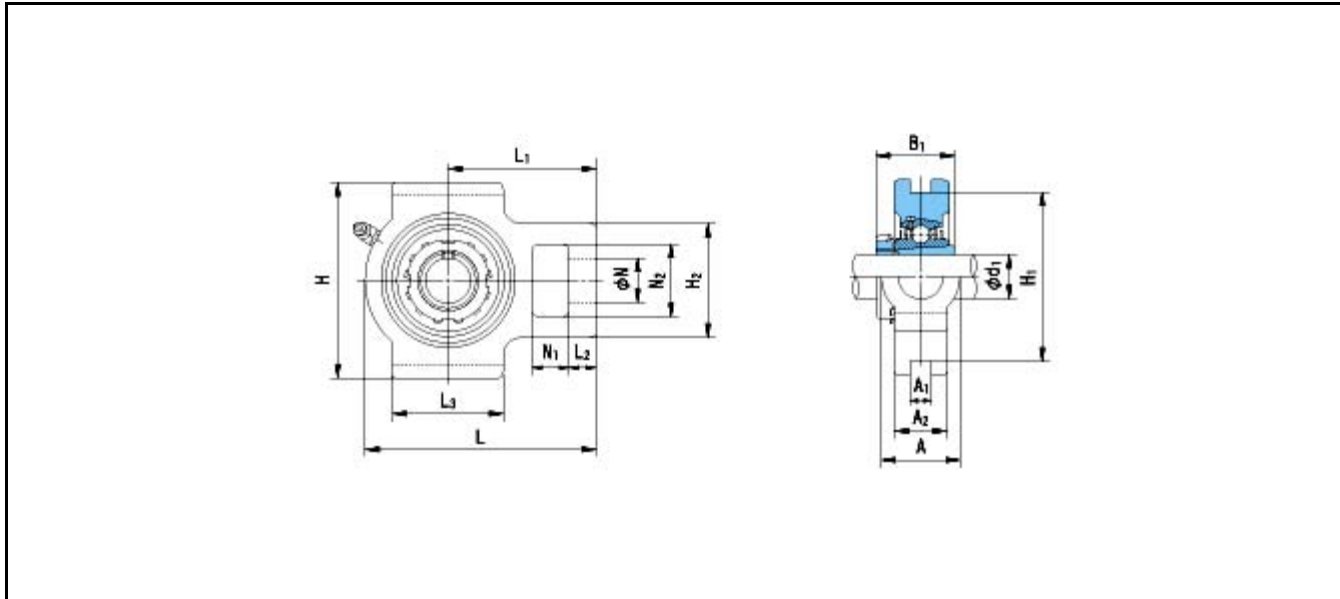
L2 = 25

L3 = 150

N = 46

N1 = 36

N2 = 85



Dimensions

d1 = 65

A1 = 26

A2 = 55

A = 90

H1 = 192

B1 = 73

Mass = 13.1 kg

Basic Dynamic Load Rating Cr : **114000 N**

Basic Static Load Rating Cor : **76900 N**

Limiting Speed ;

Grease Lubrication : - rpm

Oil Lubrication : - rpm

INNER RING OUTER RING

O.D.Surface Runout with Side : -

Axial Runout with Bore : -

Axial Runout with Raceway : -

Width Variation : -

Radial Runout : -