

ROECO

Bearing Data

Ball Bearing Units

Bearing No. : **UKT311+H2311**

Dimensions

H = 163

H2 = 105

L = 207

L1 = 127

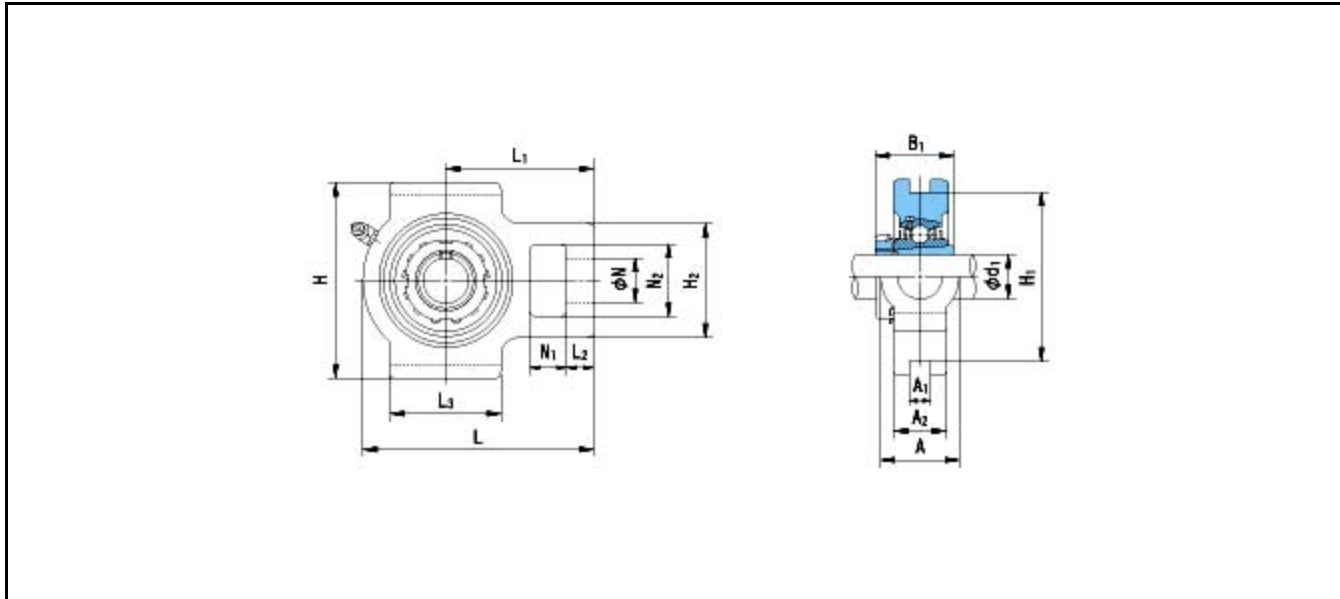
L2 = 21

L3 = 115

N = 39

N1 = 29

N2 = 66



Dimensions

d1 = 50

A1 = 22

A2 = 44

A = 66

H1 = 150

B1 = 59

Mass = 6.4 kg

Basic Dynamic Load Rating Cr :	71500 N	INNER RING	OUTER RING
Basic Static Load Rating Cor :	44800 N	O.D.Surface Runout with Side :	-
Limiting Speed ;		Axial Runout with Bore :	-
Grease Lubrication :	- rpm	Axial Runout with Raceway :	-
Oil Lubrication :	- rpm	Width Variation :	-
		Radial Runout :	-