

ROECO

# Bearing Data

## Ball Bearing Units

Bearing No. : **UKT306+H2306**

### Dimensions

H = 100

H2 = 70

L = 137

L1 = 85

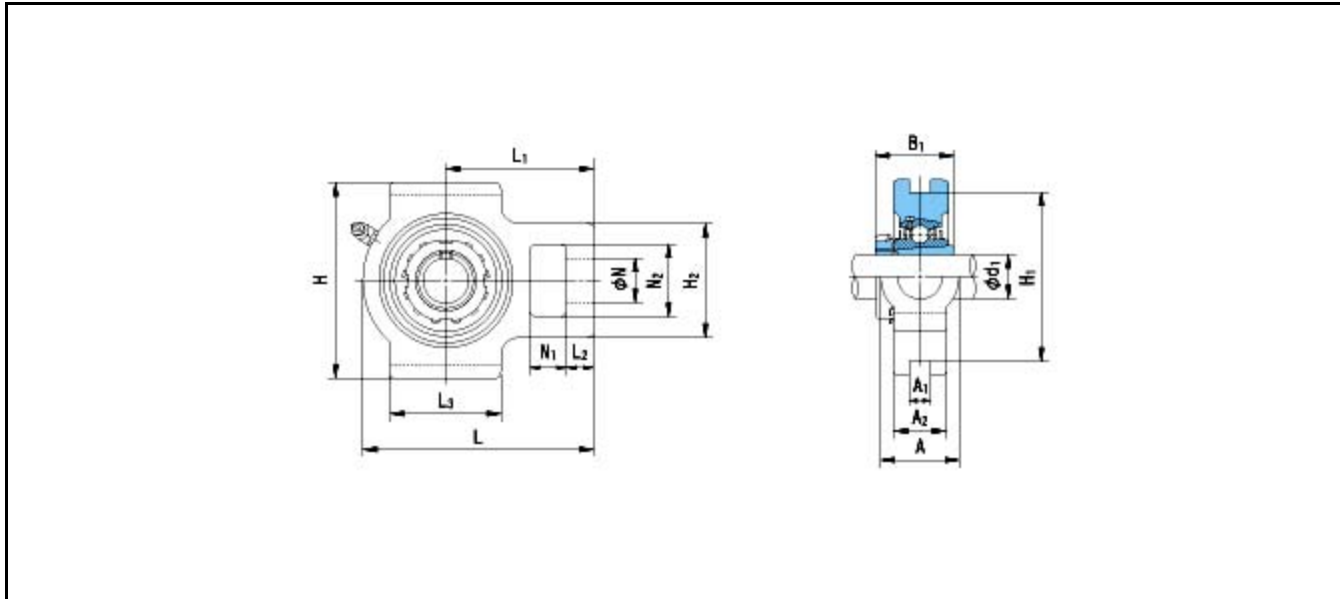
L2 = 14

L3 = 74

N = 28

N1 = 18

N2 = 41



### Dimensions

d1 = 25

A1 = 16

A2 = 28

A = 41

H1 = 90

B1 = 38

Mass = 1.8 kg

Basic Dynamic Load Rating Cr : **26800 N**

Basic Static Load Rating Cor : **15000 N**

Limiting Speed ;

Grease Lubrication : - rpm

Oil Lubrication : - rpm

INNER RING OUTER RING

O.D.Surface Runout with Side : -

Axial Runout with Bore : -

Axial Runout with Raceway : -

Width Variation : -

Radial Runout : -