

ROECO

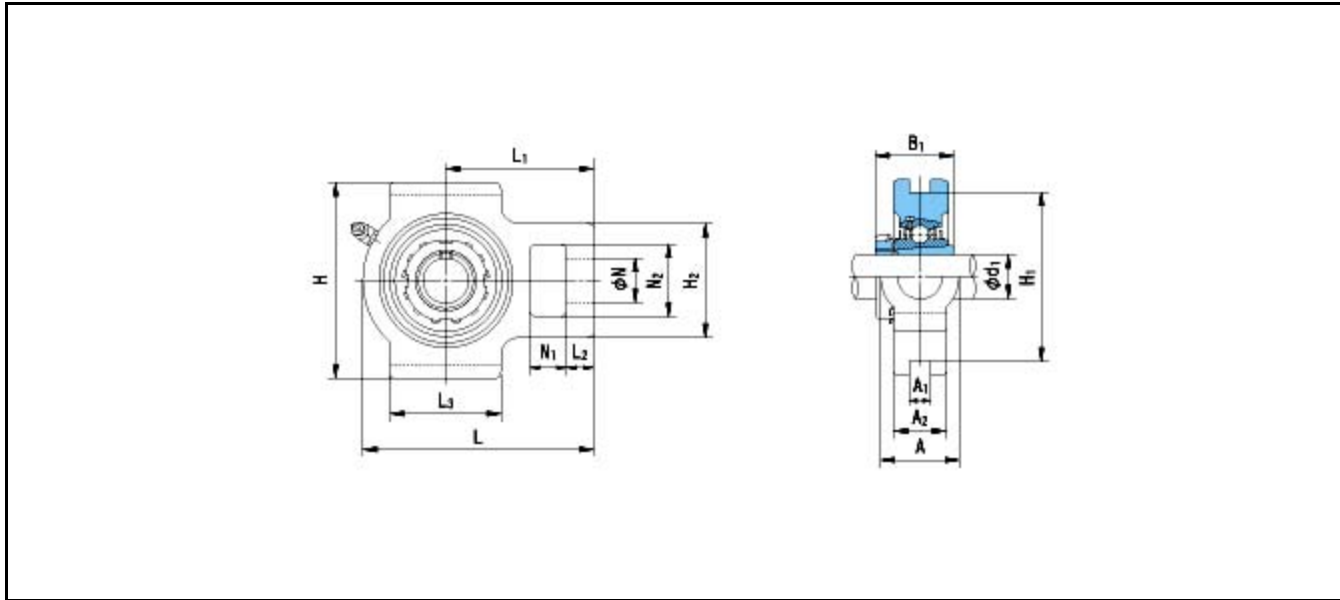
Bearing Data

Ball Bearing Units

Bearing No. : **UKT305+H2305**

Dimensions

- H = 89
- H2 = 62
- L = 122
- L1 = 76
- L2 = 12
- L3 = 65
- N = 26
- N1 = 16
- N2 = 36



Dimensions

- d1 = 20
- A1 = 12
- A2 = 26
- A = 36
- H1 = 80
- B1 = 35
- Mass = 1.4 kg

| | | | |
|---------------------------------------|----------------|---------------------------------------|-------------------|
| Basic Dynamic Load Rating Cr : | 21300 N | INNER RING | OUTER RING |
| Basic Static Load Rating Cor : | 10900 N | O.D.Surface Runout with Side : | - |
| Limiting Speed ; | | Axial Runout with Bore : | - |
| Grease Lubrication : | - rpm | Axial Runout with Raceway : | - |
| Oil Lubrication : | - rpm | Width Variation : | - |
| | | Radial Runout : | - |