

ROECO

# Bearing Data

## Ball Bearing Units

Bearing No. : **UKT212+H2312**

### Dimensions

H = 146

H2 = 102

L = 194

L1 = 119

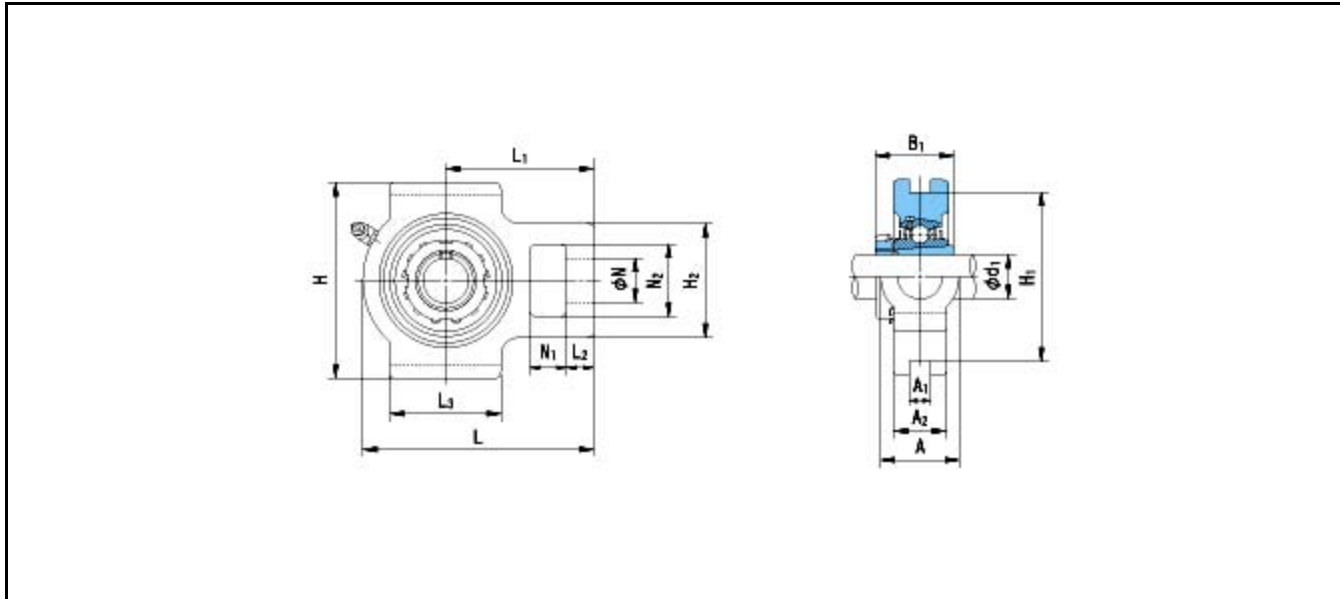
L2 = 19

L3 = 102

N = 35

N1 = 32

N2 = 64



### Dimensions

d1 = 55

A1 = 22

A2 = 42

A = 64

H1 = 130

B1 = 62

Mass = 5.1 kg

Basic Dynamic Load Rating Cr :	<b>52500 N</b>		<b>INNER RING</b>	<b>OUTER RING</b>
Basic Static Load Rating Cor :	<b>36100 N</b>	O.D.Surface Runout with Side :		-
Limiting Speed ;		Axial Runout with Bore :	-	-
Grease Lubrication :	- rpm	Axial Runout with Raceway :	-	-
Oil Lubrication :	- rpm	Width Variation :	-	-
		Radial Runout :	-	-