

ROECO

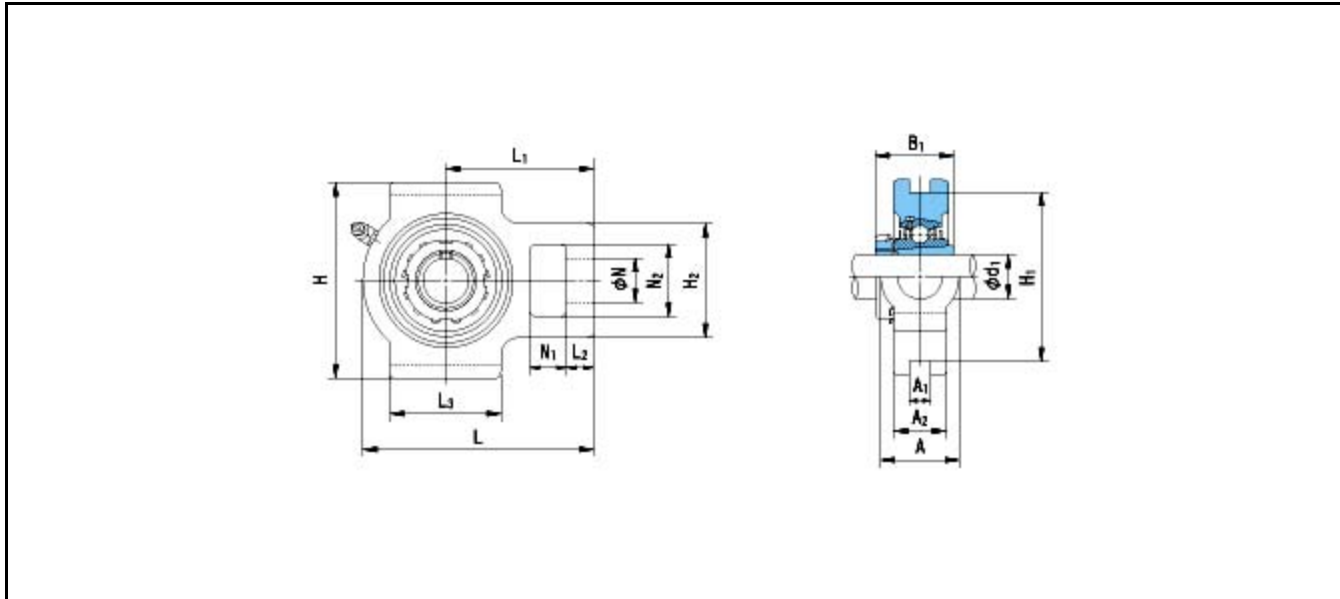
Bearing Data

Ball Bearing Units

Bearing No. : **UKT205+H2305**

Dimensions

- H = 89
- H2 = 51
- L = 97
- L1 = 62
- L2 = 10
- L3 = 51
- N = 19
- N1 = 16
- N2 = 32



Dimensions

- d1 = 20
- A1 = 12
- A2 = 24
- A = 32
- H1 = 76
- B1 = 35
- Mass = 0.83 kg

Basic Dynamic Load Rating Cr :	14000 N			
Basic Static Load Rating Cor :	7900 N	O.D.Surface Runout with Side :		-
Limiting Speed ;		Axial Runout with Bore :		-
Grease Lubrication :	- rpm	Axial Runout with Raceway :		-
Oil Lubrication :	- rpm	Width Variation :		-
		Radial Runout :		-