

ROECO

# Bearing Data

## Ball Bearing Units

Bearing No. : **UKPX18+H2318**

Dimensions

H = 101.6

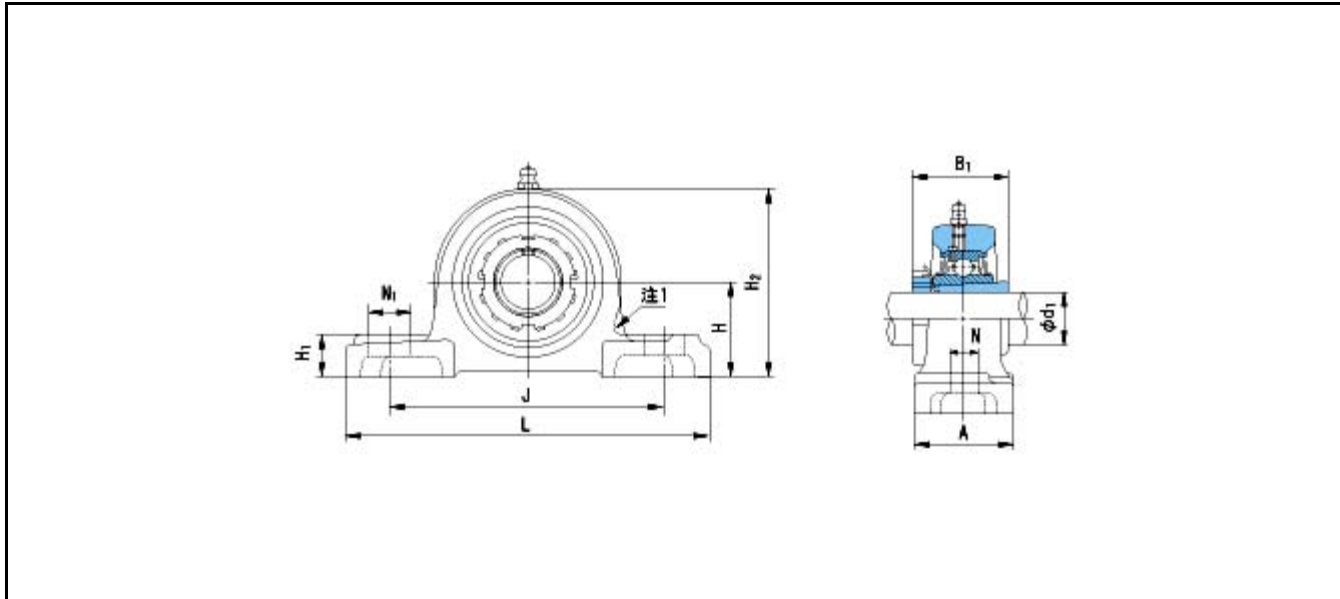
L = 381

J = 283

N1 = 60

H1 = 45

H2 = 206



Dimensions

d1 = 80

A = 111

N = 27

B1 = 86

Mass = 16.7 kg

Basic Dynamic Load Rating Cr :	<b>109000 N</b>	INNER RING	OUTER RING
Basic Static Load Rating Cor :	<b>81600 N</b>	O.D.Surface Runout with Side :	-
Limiting Speed ;		Axial Runout with Bore :	-
Grease Lubrication :	- rpm	Axial Runout with Raceway :	-
Oil Lubrication :	- rpm	Width Variation :	-
		Radial Runout :	-