

ROECO

# Bearing Data

## Ball Bearing Units

Bearing No. : **UKPX17+H2317**

Dimensions

H = 101.6

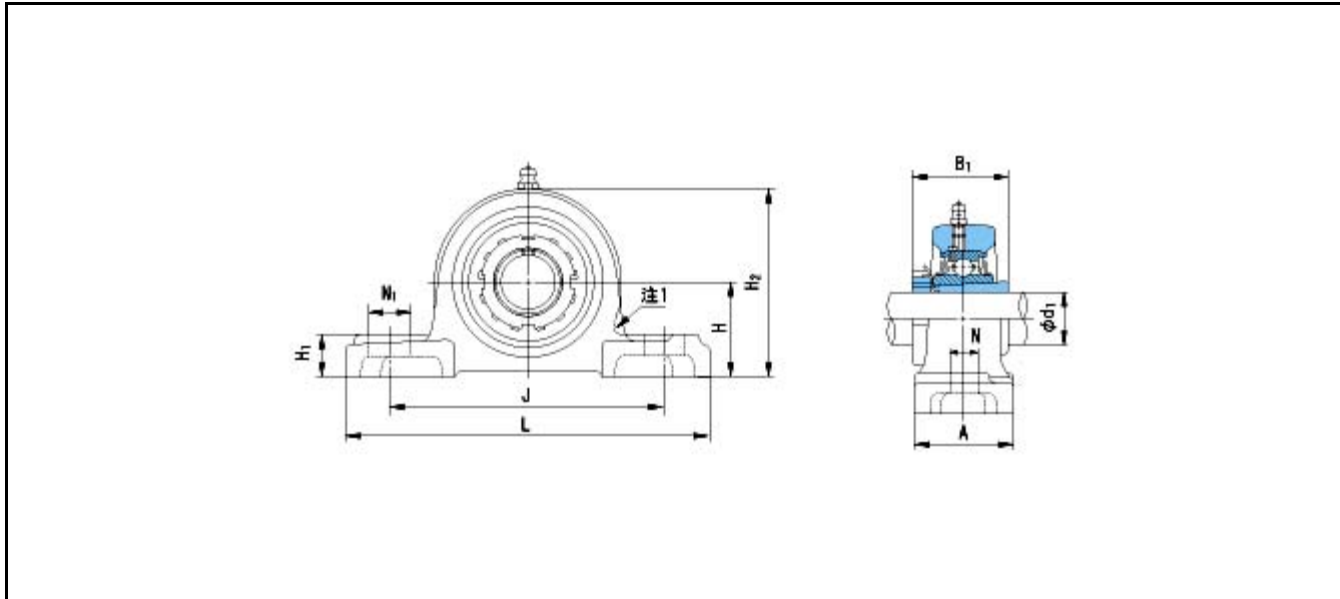
L = 381

J = 283

N1 = 59

H1 = 42

H2 = 202



Dimensions

d1 = 75

A = 102

N = 27

B1 = 82

Mass = 17 kg

Basic Dynamic Load Rating Cr :	<b>95500 N</b>	INNER RING	OUTER RING
Basic Static Load Rating Cor :	<b>71400 N</b>	O.D.Surface Runout with Side :	-
Limiting Speed ;		Axial Runout with Bore :	-
Grease Lubrication :	- rpm	Axial Runout with Raceway :	-
Oil Lubrication :	- rpm	Width Variation :	-
		Radial Runout :	-