

ROECO

# Bearing Data

## Ball Bearing Units

Bearing No. : **UKPX16+H2316**

Dimensions

H = 101.6

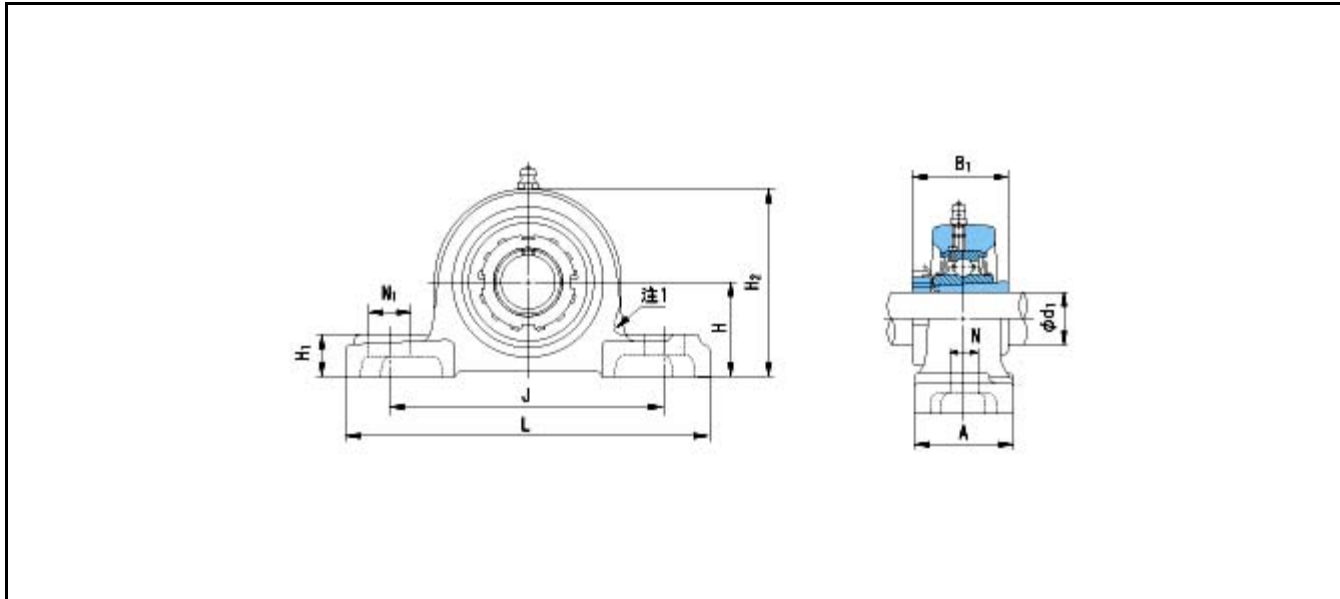
L = 381

J = 283

N1 = 59

H1 = 42

H2 = 197



Dimensions

d1 = 70

A = 102

N = 27

B1 = 78

Mass = 17.4 kg

Basic Dynamic Load Rating Cr :	<b>83500 N</b>		<b>INNER RING</b>	<b>OUTER RING</b>
Basic Static Load Rating Cor :	<b>61800 N</b>	O.D.Surface Runout with Side :		-
Limiting Speed ;		Axial Runout with Bore :	-	-
Grease Lubrication :	- rpm	Axial Runout with Raceway :	-	-
Oil Lubrication :	- rpm	Width Variation :	-	-
		Radial Runout :	-	-