

ROECO

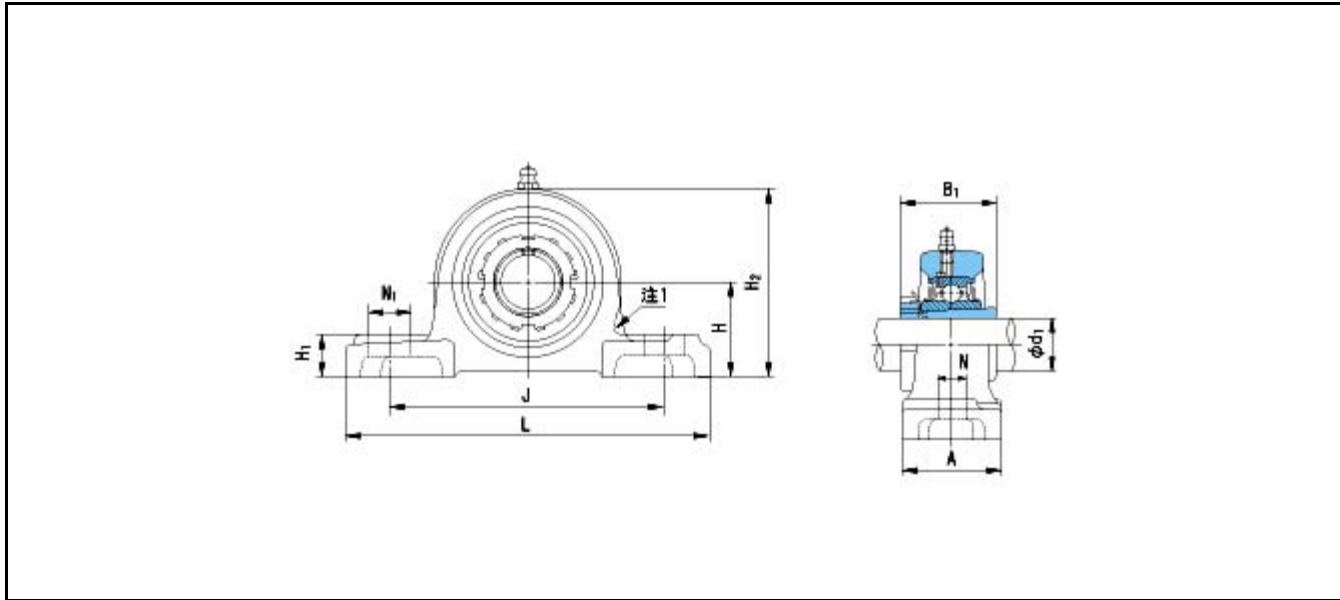
# Bearing Data

## Ball Bearing Units

Bearing No. : **UKPX11+H2311**

Dimensions

- H = 69.8
- L = 260
- J = 184
- N1 = 36
- H1 = 30
- H2 = 139



Dimensions

- d1 = 50
- A = 79
- N = 25
- B1 = 59
- Mass = 5.8 kg

Basic Dynamic Load Rating Cr :	<b>52500 N</b>	INNER RING	OUTER RING
Basic Static Load Rating Cor :	<b>36100 N</b>	O.D.Surface Runout with Side :	-
Limiting Speed ;		Axial Runout with Bore :	-
Grease Lubrication :	- rpm	Axial Runout with Raceway :	-
Oil Lubrication :	- rpm	Width Variation :	-
		Radial Runout :	-