

ROECO

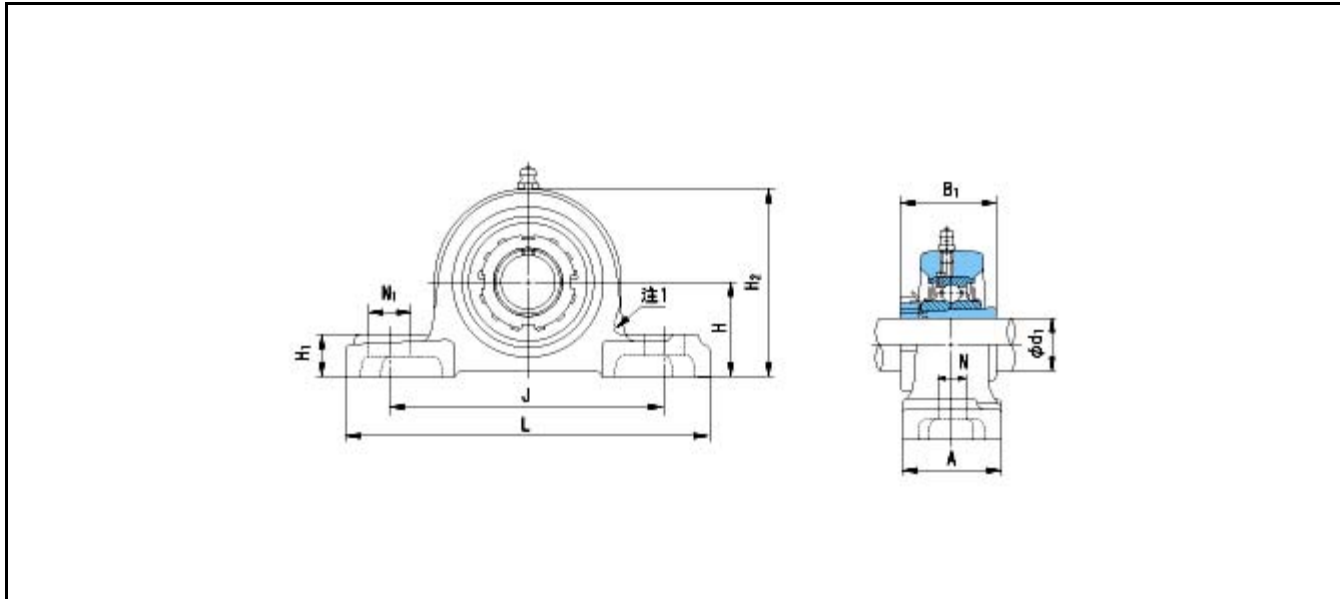
Bearing Data

Ball Bearing Units

Bearing No. : **UKPX10+H2310**

Dimensions

- H = 63.5
- L = 241
- J = 171
- N1 = 36
- H1 = 27
- H2 = 126



Dimensions

- d1 = 45
- A = 73
- N = 20
- B1 = 55
- Mass = 4.3 kg

Basic Dynamic Load Rating Cr :	43000 N		INNER RING	OUTER RING
Basic Static Load Rating Cor :	29400 N	O.D.Surface Runout with Side :		-
Limiting Speed ;		Axial Runout with Bore :	-	-
Grease Lubrication :	- rpm	Axial Runout with Raceway :	-	-
Oil Lubrication :	- rpm	Width Variation :	-	-
		Radial Runout :	-	-