

ROECO

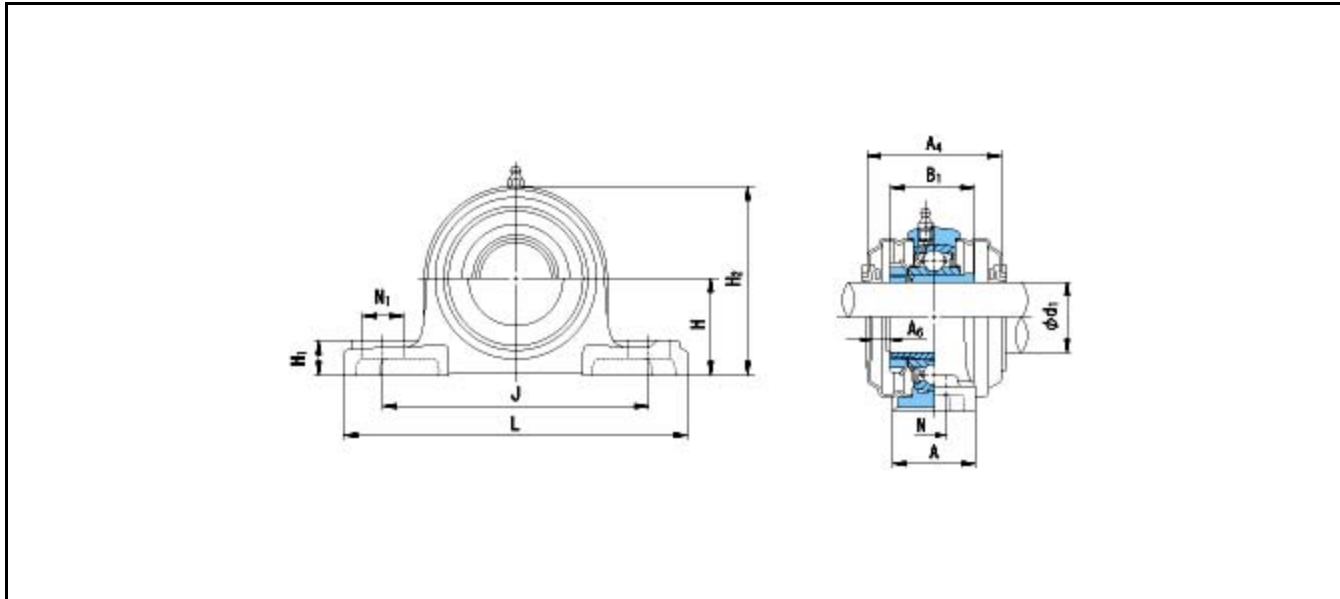
Bearing Data

Ball Bearing Units

Bearing No. : **UKPX09E+H2309**

Dimensions

- H = 58.7
- L = 222
- J = 156
- N1 = 33
- H1 = 26
- H2 = 116



Dimensions

- d1 = 40
- A = 67
- N = 20
- B1 = 50
- A4 = 87
- A6 = 16
- Mass = 3.6 kg

Basic Dynamic Load Rating Cr :	35500 N			
Basic Static Load Rating Cor :	23200 N	O.D.Surface Runout with Side :		-
Limiting Speed ;		Axial Runout with Bore :		-
Grease Lubrication :	- rpm	Axial Runout with Raceway :		-
Oil Lubrication :	- rpm	Width Variation :		-
		Radial Runout :		-