

ROECO

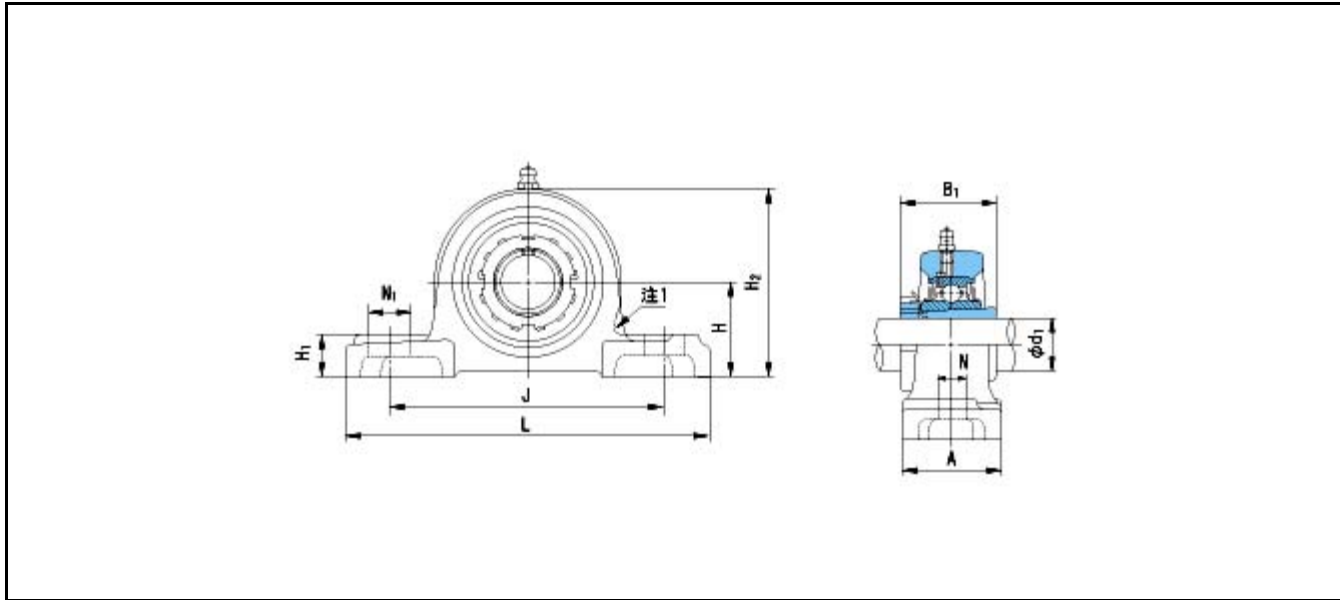
# Bearing Data

## Ball Bearing Units

Bearing No. : **UKPX08+H2308**

Dimensions

- H = 58.7
- L = 222
- J = 156
- N1 = 32
- H1 = 26
- H2 = 113



Dimensions

- d1 = 35
- A = 67
- N = 20
- B1 = 46
- Mass = 3.5 kg

Basic Dynamic Load Rating Cr :	<b>33000 N</b>		<b>INNER RING</b>	<b>OUTER RING</b>
Basic Static Load Rating Cor :	<b>20500 N</b>	O.D.Surface Runout with Side :	-	-
Limiting Speed ;		Axial Runout with Bore :	-	-
Grease Lubrication :	- rpm	Axial Runout with Raceway :	-	-
Oil Lubrication :	- rpm	Width Variation :	-	-
		Radial Runout :	-	-