

ROECO

Bearing Data

Ball Bearing Units

Bearing No. : **UKPX06C+H2306**

Dimensions

H = 47.6

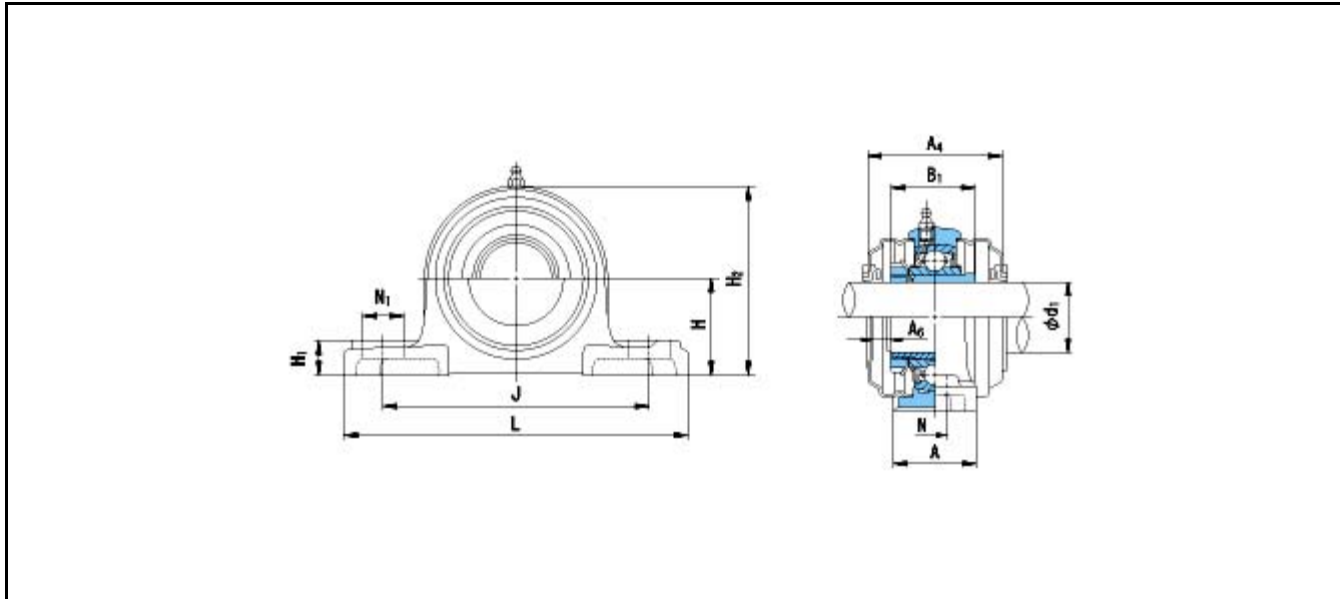
L = 175

J = 127

N1 = 25

H1 = 20

H2 = 94



Dimensions

d1 = 25

A = 57

N = 17

B1 = 38

A4 = 70

A6 = 12

Mass = 2 kg

Basic Dynamic Load Rating Cr :	25900 N			
Basic Static Load Rating Cor :	15400 N	O.D.Surface Runout with Side :		-
Limiting Speed ;		Axial Runout with Bore :		-
Grease Lubrication :	- rpm	Axial Runout with Raceway :		-
Oil Lubrication :	- rpm	Width Variation :		-
		Radial Runout :		-