

ROECO

# Bearing Data

## Ball Bearing Units

Bearing No. : **UKP326+H2326**

Dimensions

H = 180

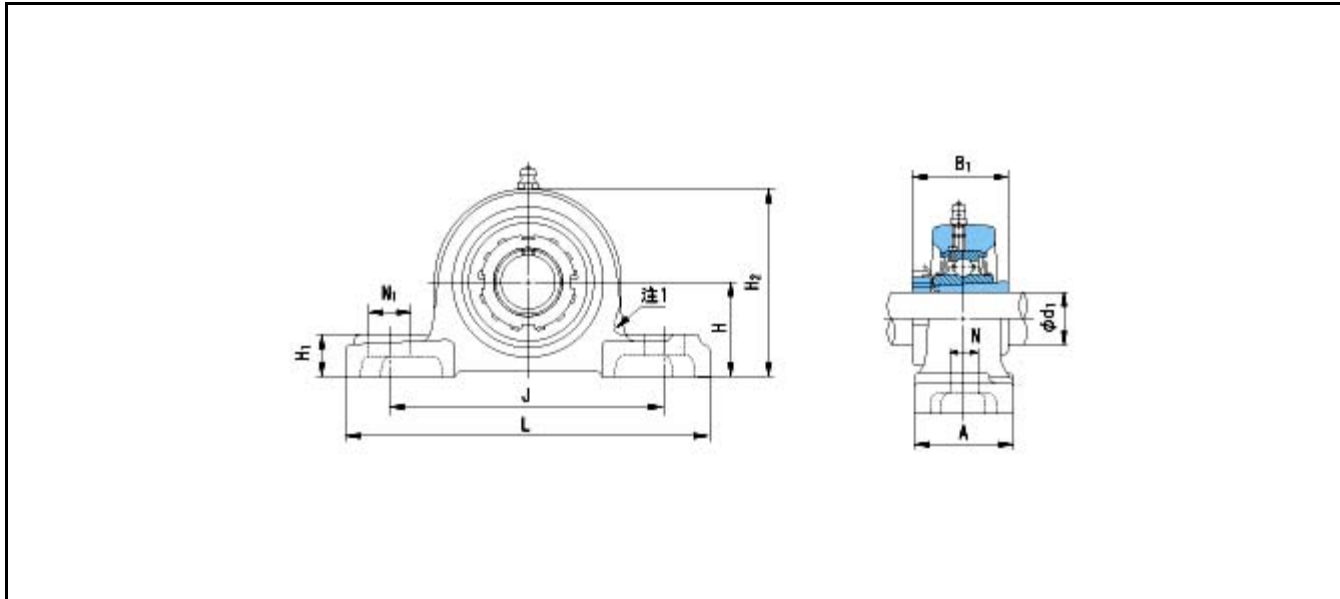
L = 600

J = 480

N1 = 55

H1 = 80

H2 = 354



Dimensions

d1 = 115

A = 140

N = 40

B1 = 121

Mass = 72.4 kg

Basic Dynamic Load Rating Cr :	<b>229000 N</b>	INNER RING	OUTER RING
Basic Static Load Rating Cor :	<b>214300 N</b>	O.D.Surface Runout with Side :	-
Limiting Speed ;		Axial Runout with Bore :	-
Grease Lubrication :	- rpm	Axial Runout with Raceway :	-
Oil Lubrication :	- rpm	Width Variation :	-
		Radial Runout :	-