

ROECO

Bearing Data

Ball Bearing Units

Bearing No. : **UKP324+H2324**

Dimensions

H = 160

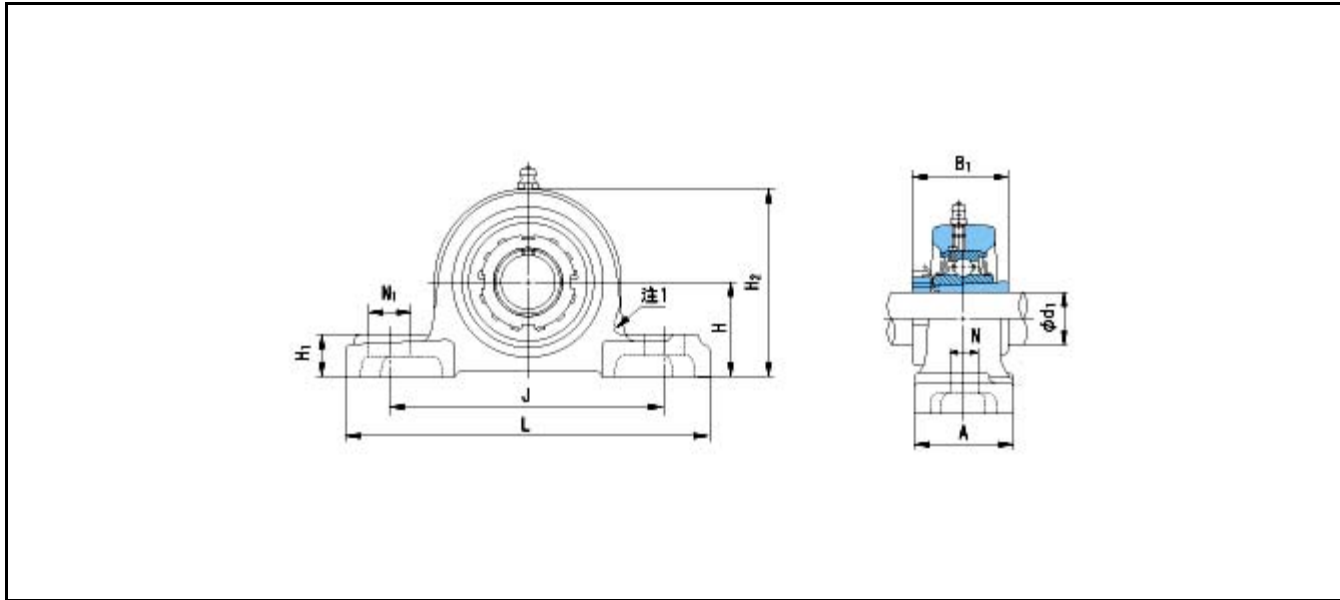
L = 570

J = 450

N1 = 55

H1 = 70

H2 = 321



Dimensions

d1 = 110

A = 140

N = 40

B1 = 112

Mass = 53 kg

Basic Dynamic Load Rating Cr :	207000 N	INNER RING	OUTER RING
Basic Static Load Rating Cor :	184800 N	O.D.Surface Runout with Side :	-
Limiting Speed ;		Axial Runout with Bore :	-
Grease Lubrication :	- rpm	Axial Runout with Raceway :	-
Oil Lubrication :	- rpm	Width Variation :	-
		Radial Runout :	-