

ROECO

Bearing Data

Ball Bearing Units

Bearing No. : **UKP322+H2322**

Dimensions

H = 150

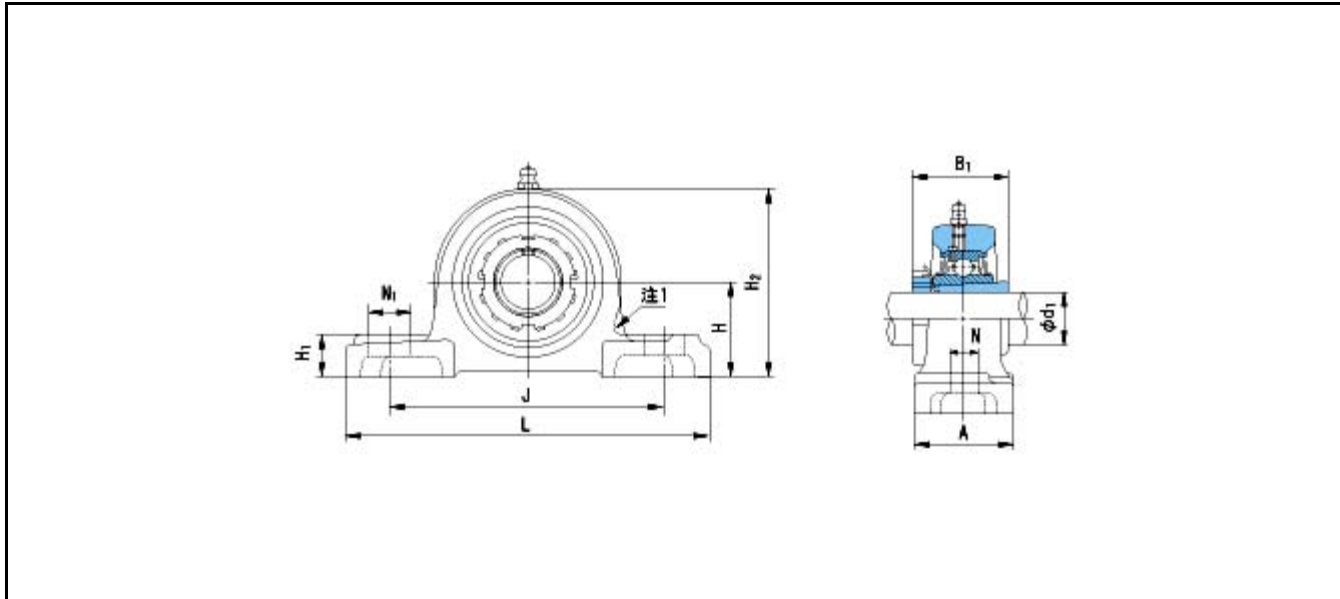
L = 520

J = 400

N1 = 55

H1 = 60

H2 = 295



Dimensions

d1 = 100

A = 140

N = 40

B1 = 105

Mass = 42.6 kg

| | | | |
|--------------------------------|-----------------|--------------------------------|------------|
| Basic Dynamic Load Rating Cr : | 205000 N | INNER RING | OUTER RING |
| Basic Static Load Rating Cor : | 178800 N | O.D.Surface Runout with Side : | - |
| Limiting Speed ; | | Axial Runout with Bore : | - |
| Grease Lubrication : | - rpm | Axial Runout with Raceway : | - |
| Oil Lubrication : | - rpm | Width Variation : | - |
| | | Radial Runout : | - |