

ROECO

# Bearing Data

## Ball Bearing Units

Bearing No. : **UKP315+H2315**

Dimensions

H = 100

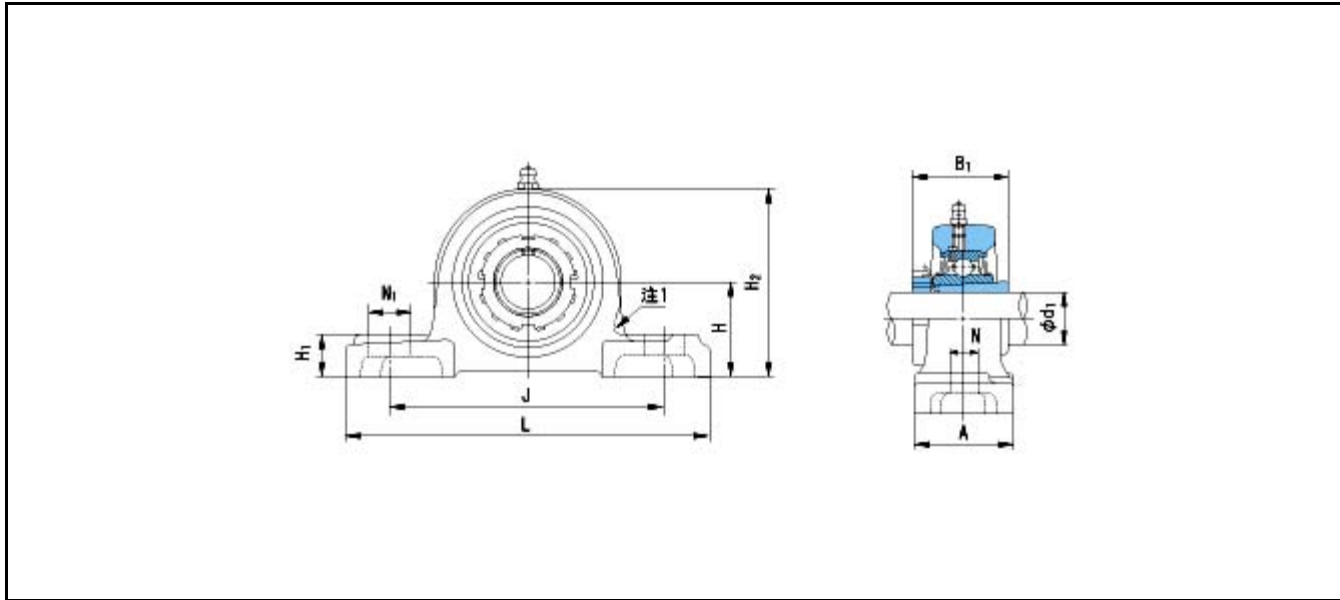
L = 380

J = 290

N1 = 40

H1 = 40

H2 = 197



Dimensions

d1 = 65

A = 100

N = 27

B1 = 73

Mass = 13.7 kg

Basic Dynamic Load Rating Cr :	<b>114000 N</b>		<b>INNER RING</b>	<b>OUTER RING</b>
Basic Static Load Rating Cor :	<b>76900 N</b>	O.D.Surface Runout with Side :	-	-
Limiting Speed ;		Axial Runout with Bore :	-	-
Grease Lubrication :	- rpm	Axial Runout with Raceway :	-	-
Oil Lubrication :	- rpm	Width Variation :	-	-
		Radial Runout :	-	-