

ROECO

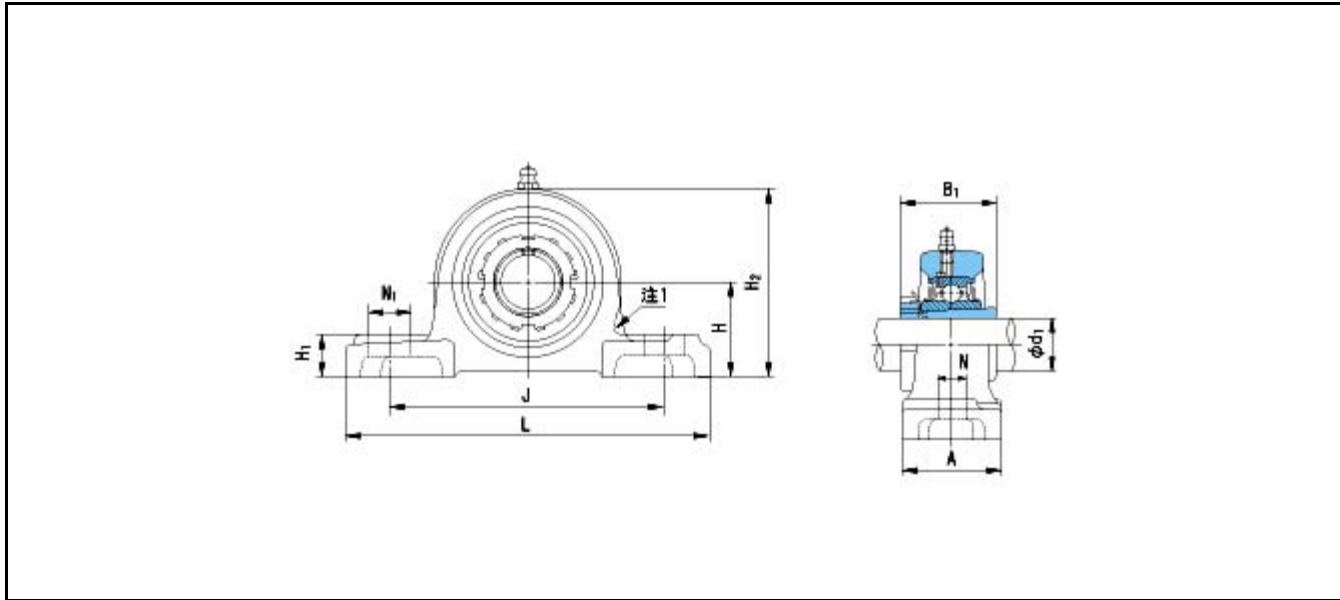
Bearing Data

Ball Bearing Units

Bearing No. : **UKP313+H2313**

Dimensions

- H = 90
- L = 340
- J = 260
- N1 = 38
- H1 = 36
- H2 = 174



Dimensions

- d1 = 60
- A = 90
- N = 25
- B1 = 65
- Mass = 9.8 kg

Basic Dynamic Load Rating Cr :	92500 N	INNER RING	OUTER RING
Basic Static Load Rating Cor :	59700 N	O.D.Surface Runout with Side :	-
Limiting Speed ;		Axial Runout with Bore :	-
Grease Lubrication :	- rpm	Axial Runout with Raceway :	-
Oil Lubrication :	- rpm	Width Variation :	-
		Radial Runout :	-