

ROECO

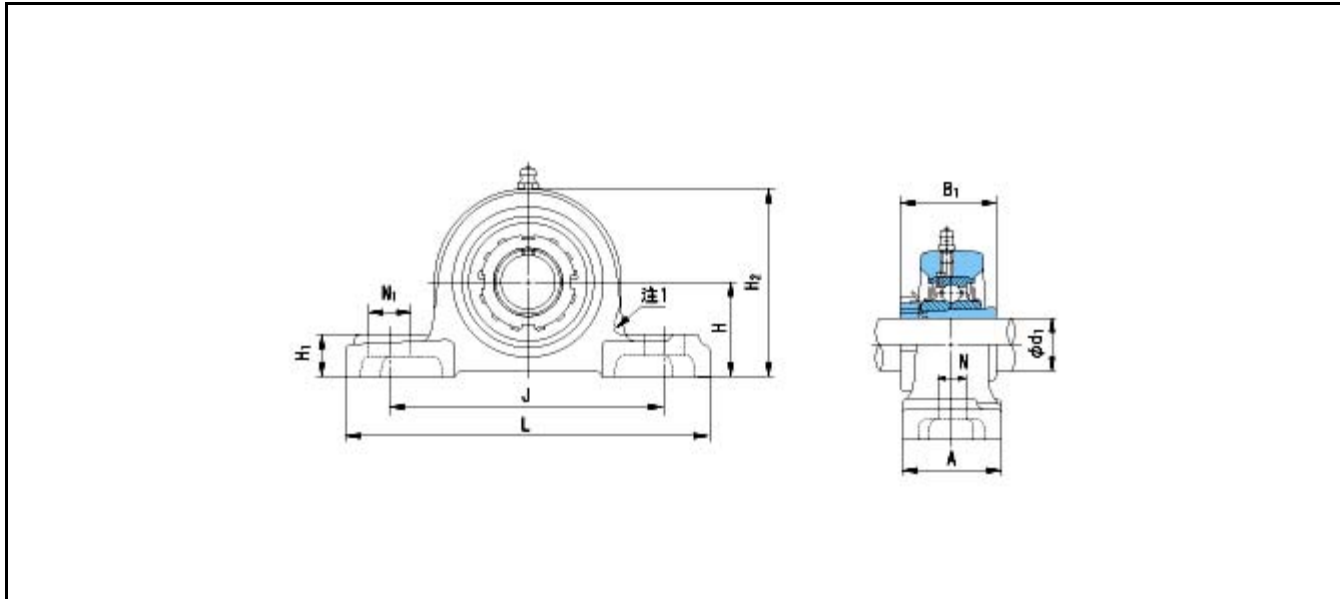
# Bearing Data

## Ball Bearing Units

Bearing No. : **UKP309+H2309**

Dimensions

- H = 67
- L = 245
- J = 190
- N1 = 30
- H1 = 25
- H2 = 128



Dimensions

- d1 = 40
- A = 67
- N = 20
- B1 = 50
- Mass = 4.6 kg

Basic Dynamic Load Rating Cr :	<b>51500 N</b>		<b>INNER RING</b>	<b>OUTER RING</b>
Basic Static Load Rating Cor :	<b>29500 N</b>	O.D.Surface Runout with Side :		-
Limiting Speed ;		Axial Runout with Bore :	-	-
Grease Lubrication :	- rpm	Axial Runout with Raceway :	-	-
Oil Lubrication :	- rpm	Width Variation :	-	-
		Radial Runout :	-	-