

ROECO

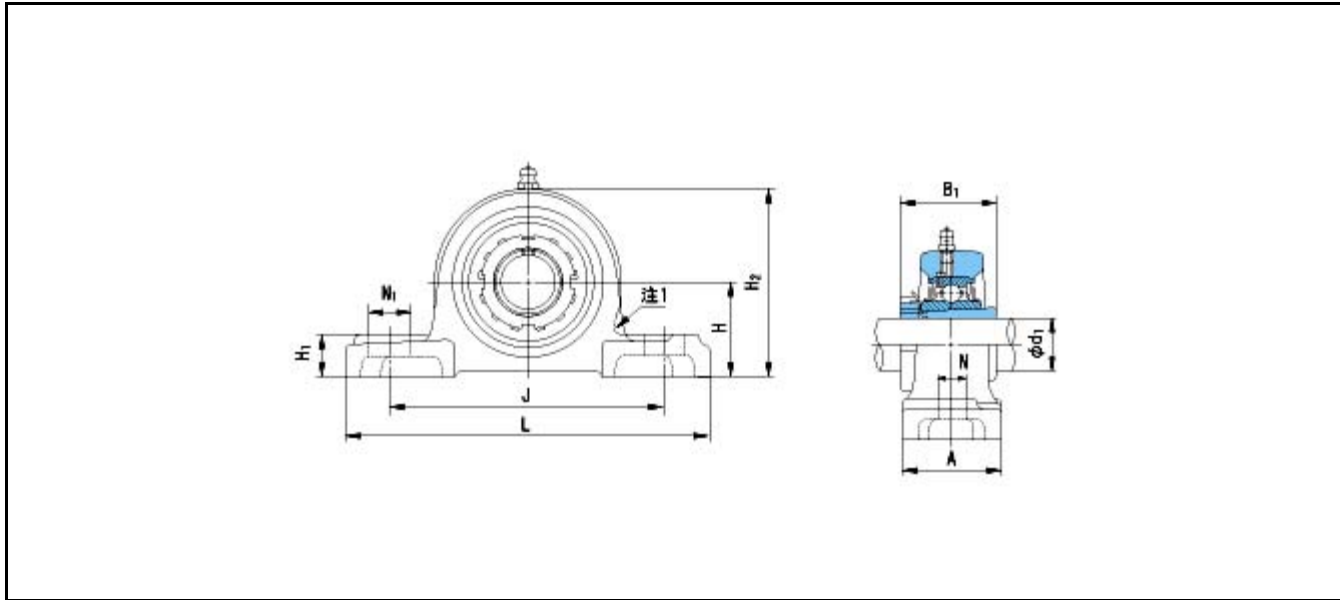
# Bearing Data

## Ball Bearing Units

Bearing No. : **UKP308+H2308**

Dimensions

H = 60  
L = 220  
J = 170  
N1 = 27  
H1 = 23  
H2 = 116



Dimensions

d1 = 35  
A = 60  
N = 17  
B1 = 46  
Mass = 3 kg

Basic Dynamic Load Rating Cr :	<b>40500 N</b>			
			<b>INNER RING</b>	<b>OUTER RING</b>
Basic Static Load Rating Cor :	<b>23900 N</b>	O.D.Surface Runout with Side :	-	-
		Axial Runout with Bore :	-	-
Limiting Speed ;		Axial Runout with Raceway :	-	-
Grease Lubrication :	- rpm	Width Variation :	-	-
Oil Lubrication :	- rpm	Radial Runout :	-	-