

ROECO

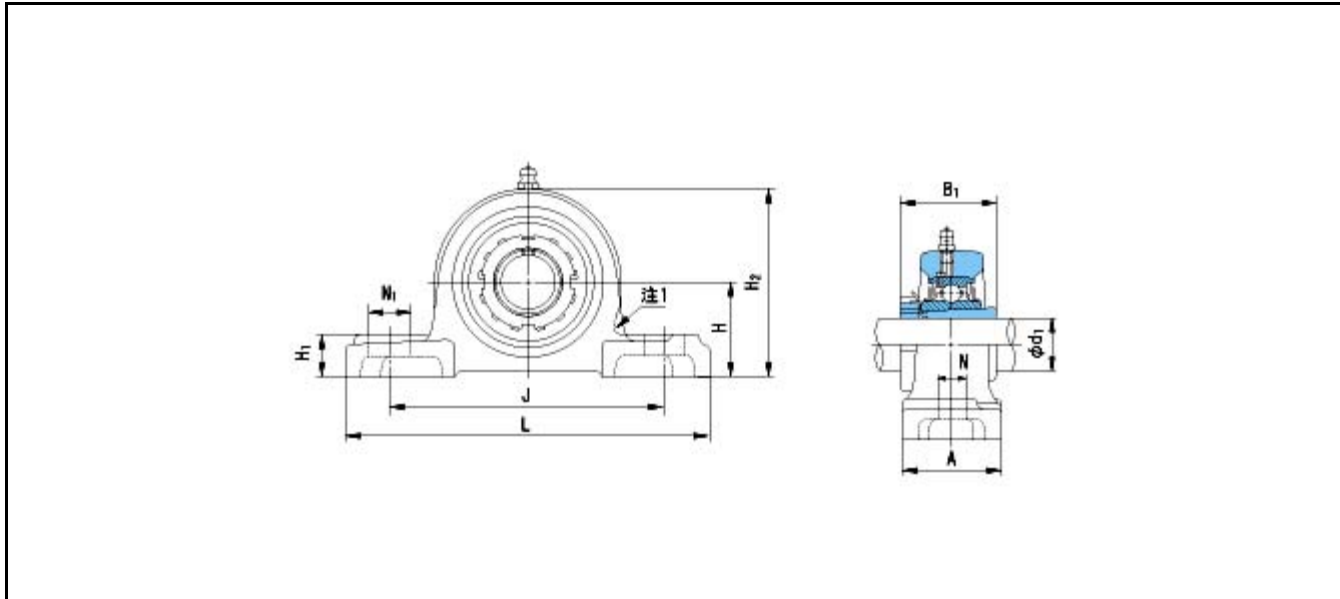
Bearing Data

Ball Bearing Units

Bearing No. : **UKP307+H2307**

Dimensions

- H = 56
- L = 210
- J = 160
- N1 = 25
- H1 = 21
- H2 = 105



Dimensions

- d1 = 30
- A = 56
- N = 17
- B1 = 43
- Mass = 2.7 kg

Basic Dynamic Load Rating Cr :	33500 N		INNER RING	OUTER RING
Basic Static Load Rating Cor :	19200 N	O.D.Surface Runout with Side :		-
Limiting Speed ;		Axial Runout with Bore :	-	-
Grease Lubrication :	- rpm	Axial Runout with Raceway :	-	-
Oil Lubrication :	- rpm	Width Variation :	-	-
		Radial Runout :	-	-