

ROECO

Bearing Data

Ball Bearing Units

Bearing No. : **UKP218+H2318**

Dimensions

H = 101.6

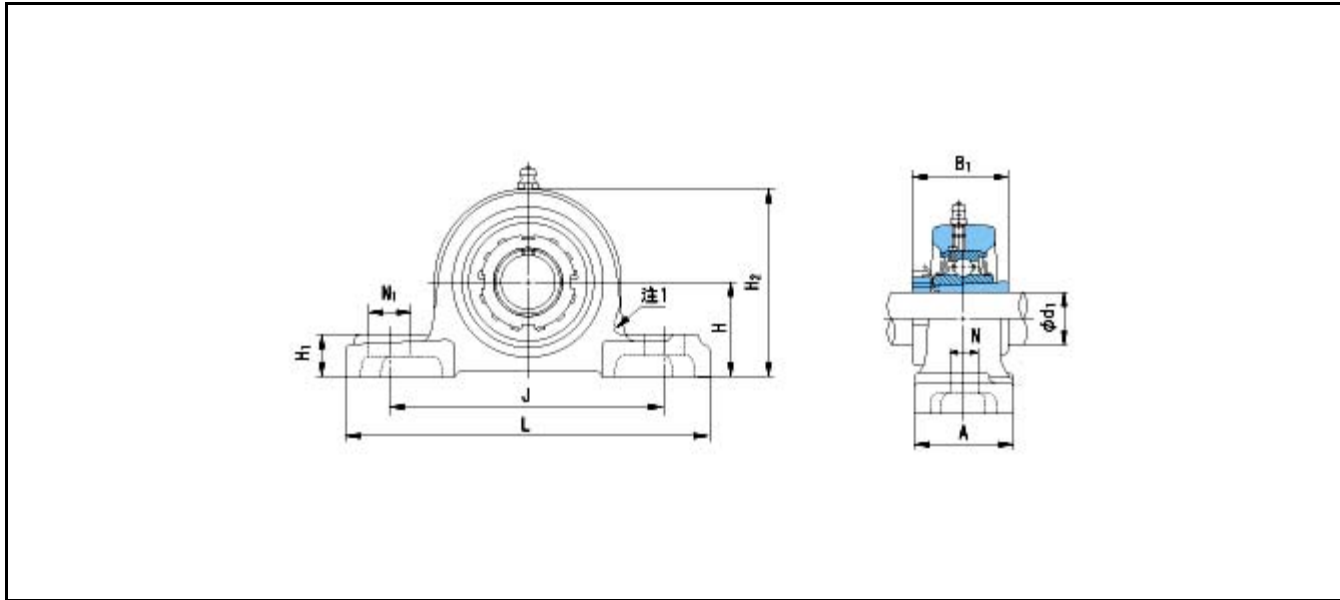
L = 327

J = 262

N1 = 33

H1 = 34

H2 = 200



Dimensions

d1 = 80

A = 88

N = 27

B1 = 86

Mass = 15.1 kg

Basic Dynamic Load Rating Cr :	95500 N	INNER RING	OUTER RING
Basic Static Load Rating Cor :	71400 N	O.D.Surface Runout with Side :	-
Limiting Speed ;		Axial Runout with Bore :	-
Grease Lubrication :	- rpm	Axial Runout with Raceway :	-
Oil Lubrication :	- rpm	Width Variation :	-
		Radial Runout :	-