

ROECO

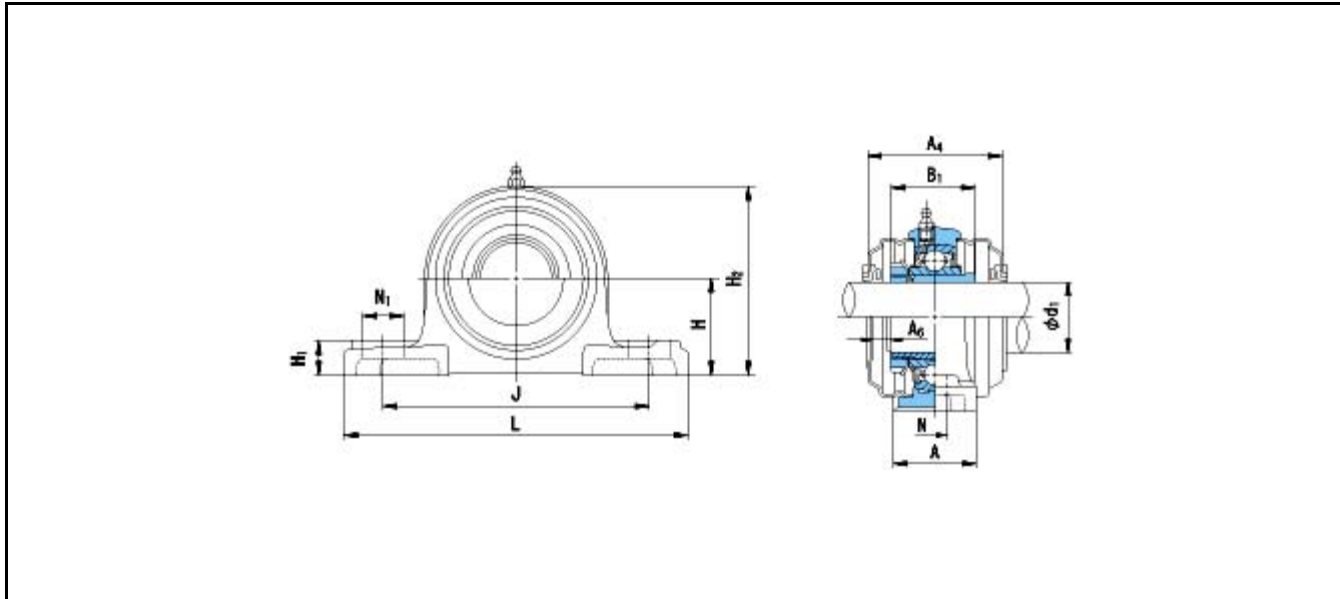
Bearing Data

Ball Bearing Units

Bearing No. : **UKP212C+H2312**

Dimensions

- H = 69.8
- L = 241
- J = 184
- N1 = 25
- H1 = 25
- H2 = 138



Dimensions

- d1 = 55
- A = 70
- N = 20
- B1 = 62
- A4 = 102
- A6 = 19
- Mass = 5.2 kg

Basic Dynamic Load Rating Cr :	52500 N			
Basic Static Load Rating Cor :	36100 N	O.D.Surface Runout with Side :		-
Limiting Speed ;		Axial Runout with Bore :		-
Grease Lubrication :	- rpm	Axial Runout with Raceway :		-
Oil Lubrication :	- rpm	Width Variation :		-
		Radial Runout :		-