

ROECO

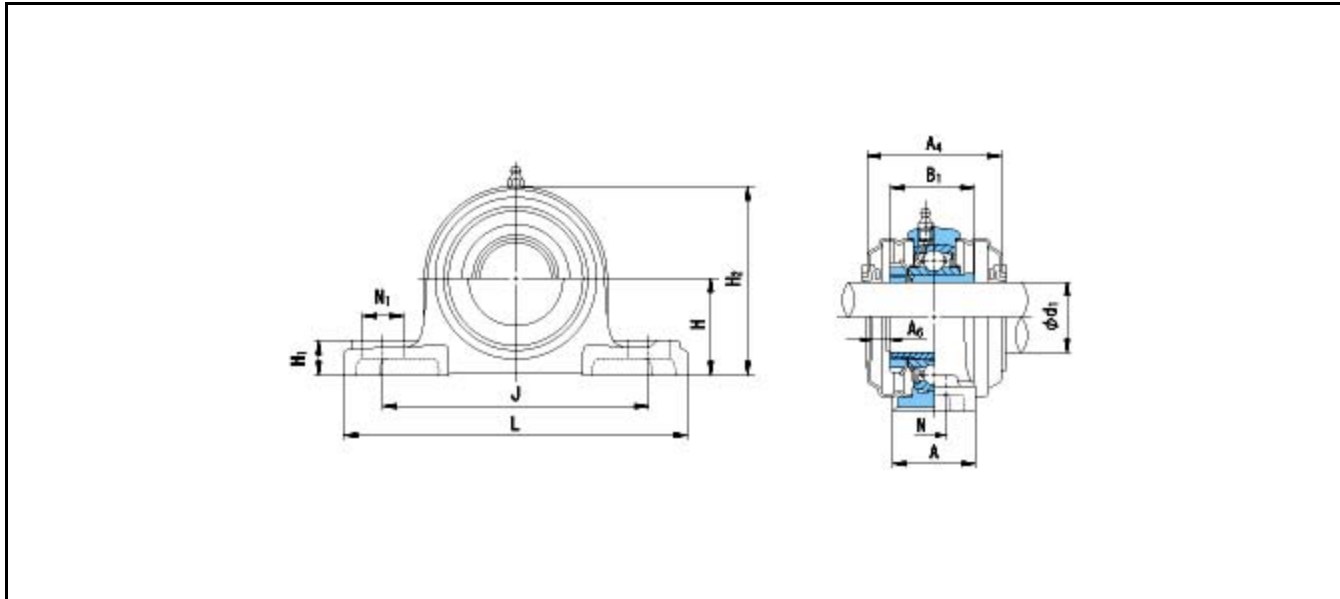
Bearing Data

Ball Bearing Units

Bearing No. : **UKP209E+H2309**

Dimensions

- H = 54
- L = 190
- J = 146
- N1 = 22
- H1 = 20
- H2 = 108



Dimensions

- d1 = 40
- A = 54
- N = 17
- B1 = 50
- A4 = 82
- A6 = 14
- Mass = 2.6 kg

Basic Dynamic Load Rating Cr :	33000 N	INNER RING	OUTER RING
Basic Static Load Rating Cor :	20500 N	O.D.Surface Runout with Side :	-
Limiting Speed ;		Axial Runout with Bore :	-
Grease Lubrication :	- rpm	Axial Runout with Raceway :	-
Oil Lubrication :	- rpm	Width Variation :	-
		Radial Runout :	-