

ROECO

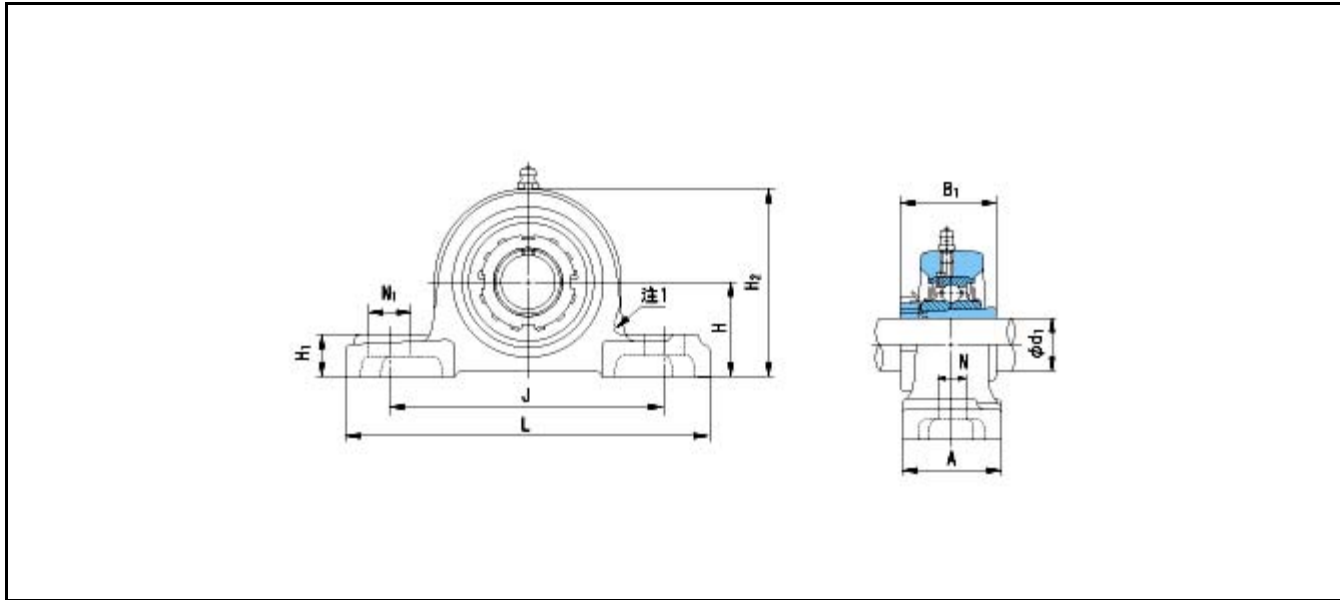
Bearing Data

Ball Bearing Units

Bearing No. : **UKP209+H2309**

Dimensions

H = 54
L = 190
J = 146
N1 = 22
H1 = 20
H2 = 108



Dimensions

d1 = 40
A = 54
N = 17
B1 = 50
Mass = 2.4 kg

Basic Dynamic Load Rating Cr :	33000 N			
			INNER RING	OUTER RING
Basic Static Load Rating Cor :	20500 N	O.D.Surface Runout with Side :	-	-
		Axial Runout with Bore :	-	-
Limiting Speed ;		Axial Runout with Raceway :	-	-
Grease Lubrication :	- rpm	Width Variation :	-	-
Oil Lubrication :	- rpm	Radial Runout :	-	-