

ROECO

Bearing Data

Ball Bearing Units

Bearing No. : **UKP205E+H2305**

Dimensions

H = 36.5

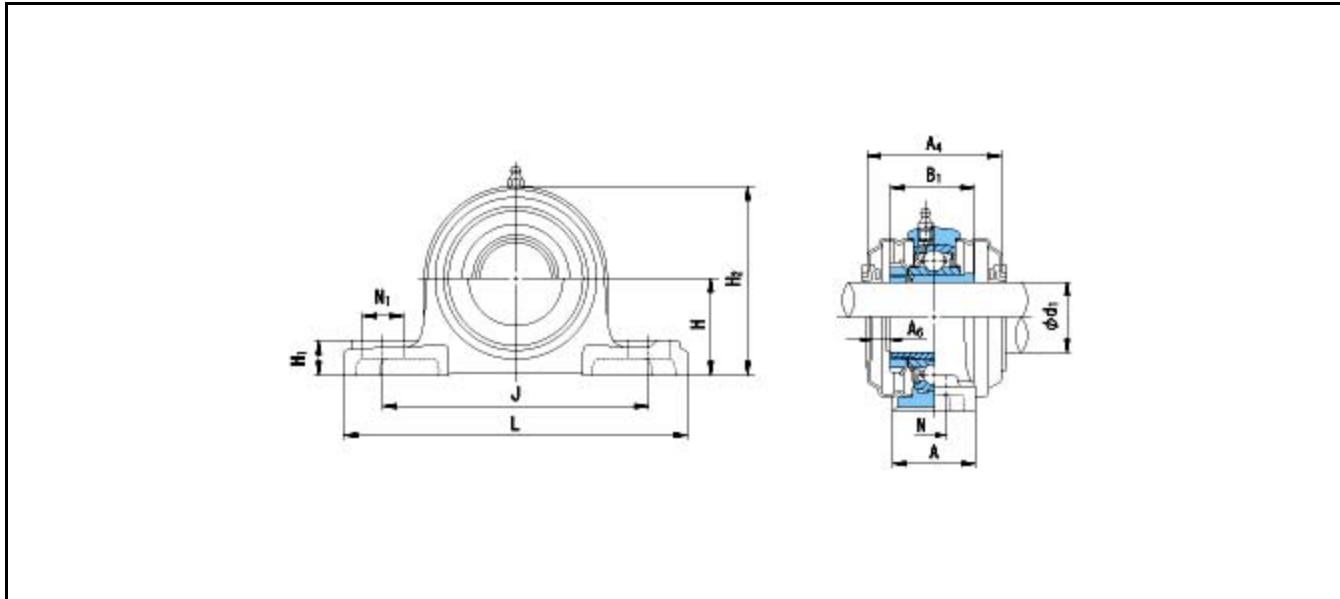
L = 140

J = 105

N1 = 16

H1 = 16

H2 = 70



Dimensions

d1 = 20

A = 38

N = 13

B1 = 35

A4 = 63

A6 = 11

Mass = 0.91 kg

Basic Dynamic Load Rating Cr :	14000 N		
Basic Static Load Rating Cor :	7900 N	O.D.Surface Runout with Side :	-
Limiting Speed ;		Axial Runout with Bore :	-
Grease Lubrication :	- rpm	Axial Runout with Raceway :	-
Oil Lubrication :	- rpm	Width Variation :	-
		Radial Runout :	-