

ROECO

# Bearing Data

## Ball Bearing Units

Bearing No. : **UKP205+H2305**

Dimensions

H = 36.5

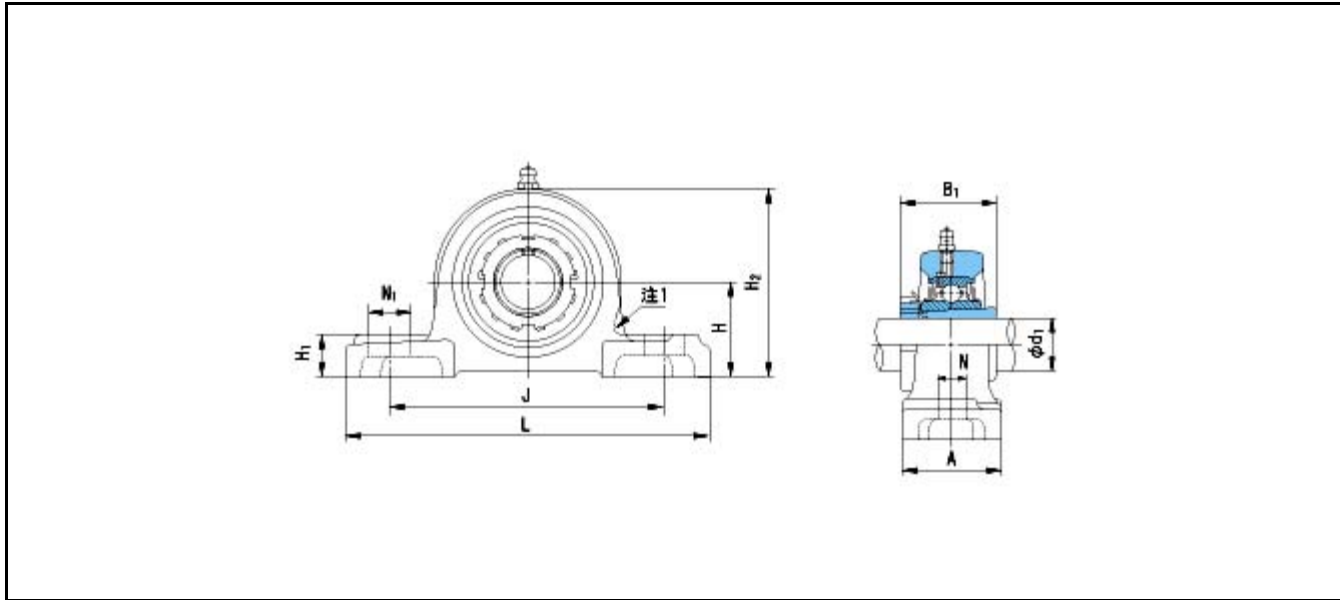
L = 140

J = 105

N1 = 16

H1 = 16

H2 = 70



Dimensions

d1 = 20

A = 38

N = 13

B1 = 35

Mass = 0.84 kg

Basic Dynamic Load Rating Cr :	<b>14000 N</b>		<b>INNER RING</b>	<b>OUTER RING</b>
Basic Static Load Rating Cor :	<b>7900 N</b>	O.D.Surface Runout with Side :		-
Limiting Speed ;		Axial Runout with Bore :	-	-
Grease Lubrication :	- rpm	Axial Runout with Raceway :	-	-
Oil Lubrication :	- rpm	Width Variation :	-	-
		Radial Runout :	-	-